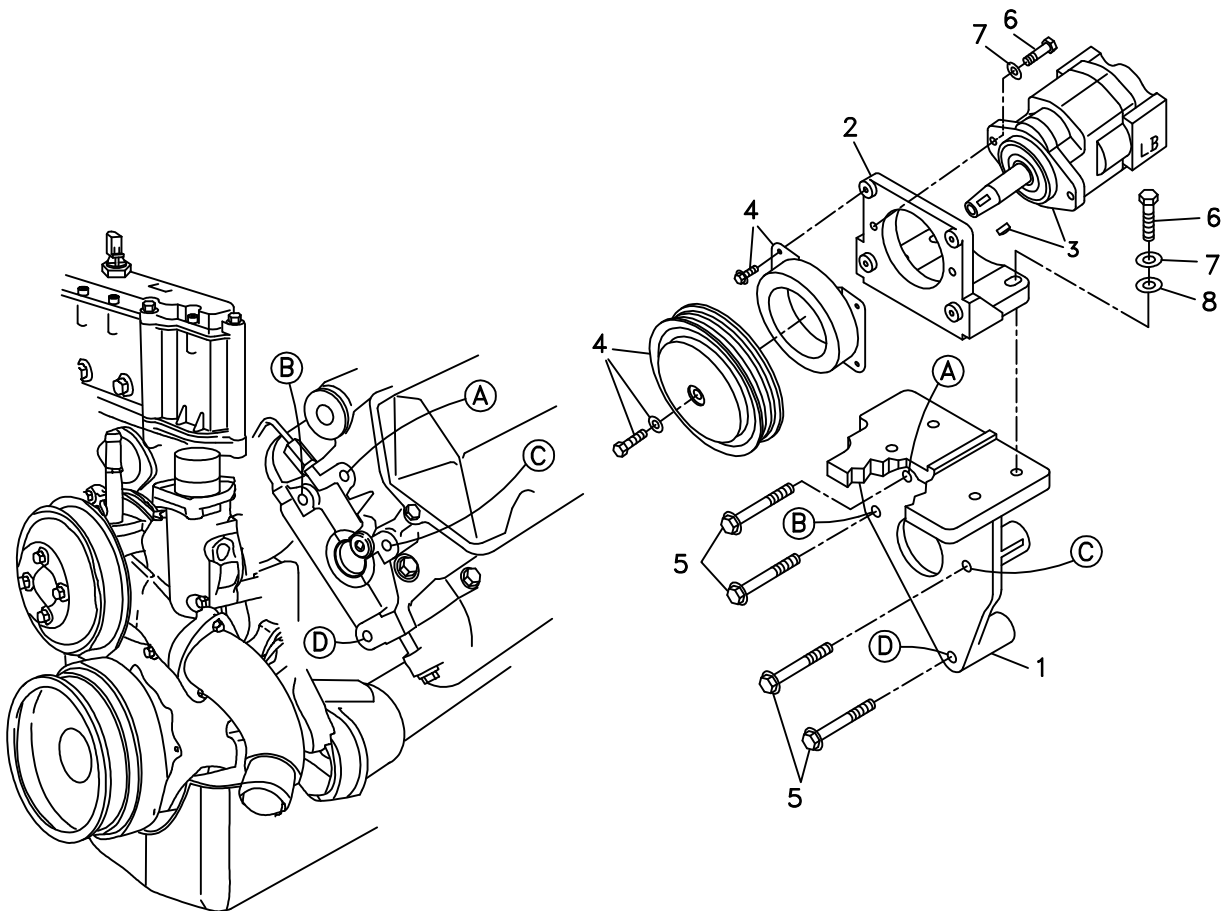


# DEWEZE CLUTCH PUMP KIT

None	Bracket Assy.	Kit No.	700369
711326	Bracket Bolt Pkg. (Inc. item 5)	Make	International 4700
None	Pulley Bolt Pkg.	Engine	T 444E
None	Idler Bolt Pkg.	Fuel	Diesel
None	Fan Spacer Bolt Pkg.	Year	2000
		Equipment	w/AC, Manual trans.
		Revised	NC 10-16-00

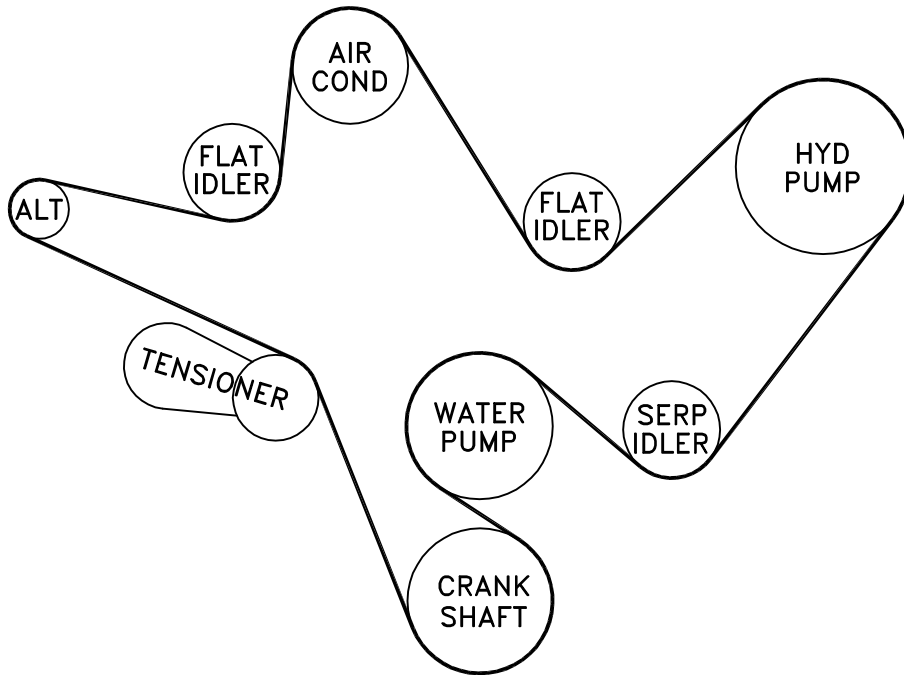
ITEM	PART #	DESCRIPTION
1.	711325	Engine bracket
2.	711216	Pump foot mount
3.	*	Pump (Rear port)
4.	740148	Clutch
5.	110567	M10 x 80 x 1.5 Bolt
6.	110425	3/8-16 x 1 1/4 Bolt
7.	110672	3/8 Lock washer
8.	110676	3/8 Flat washer
9.	740333	Belt/Micro-V K081189

FIG. 1



(A),(B),(C)... Denotes bolt holes in engine to locate corresponding holes in Pump Brkt.

FIG. 2  
BELT DIAGRAM



# DewEze

Clutch Pump Kit  
#700369  
**INTERNATIONAL**  
4700  
T444E  
'A' mount  
2000-

## INSTALLATION INSTRUCTIONS

1. Disconnect the battery.
2. Unbolt the clamp holding the wiring harness above the driver's side valve cover.
3. Bolt the engine bracket (1) onto the engine at locations A - D with four M10 x 80 bolts. Torque to 35 ft-lb.
4. Bolt pump (3) onto footmount (2) with two 3/8 x 1 1/4 bolts (6) and two 3/8 lock washers (7). Torque to 20 ft-lb. Attach coil (4) with four 1/4 x 1/2 flange bolts supplied with clutch. Torque these to 6 ft-lb. Attach clutch pulley to pump shaft with 5/16NF x 1 1/4 bolt and heavy washer supplied with clutch. Torque to 14 ft-lb.
5. Attach footmount and pump onto engine bracket with four 3/8 x 1 1/4 bolts (6), four 3/8 lock washers (7), and four 3/8 flat washers (8). Torque to 20 ft-lb. Line up clutch pulley with serpentine idler pulley below it by laying a straightedge across the pulleys.
6. Install the belt (9) as shown in the belt diagram (Fig. 2). Visually sight along the edge of the belt to be sure the clutch pulley is in line with the other pulleys.
7. Secure the small water return hose to the upper radiator hose with plastic tie wrap. Tie down wiring harness that was loosened earlier so it is secure.
8. Connect the battery.
9. Run the engine and check for any clearance or alignment problems. Adjust as needed.