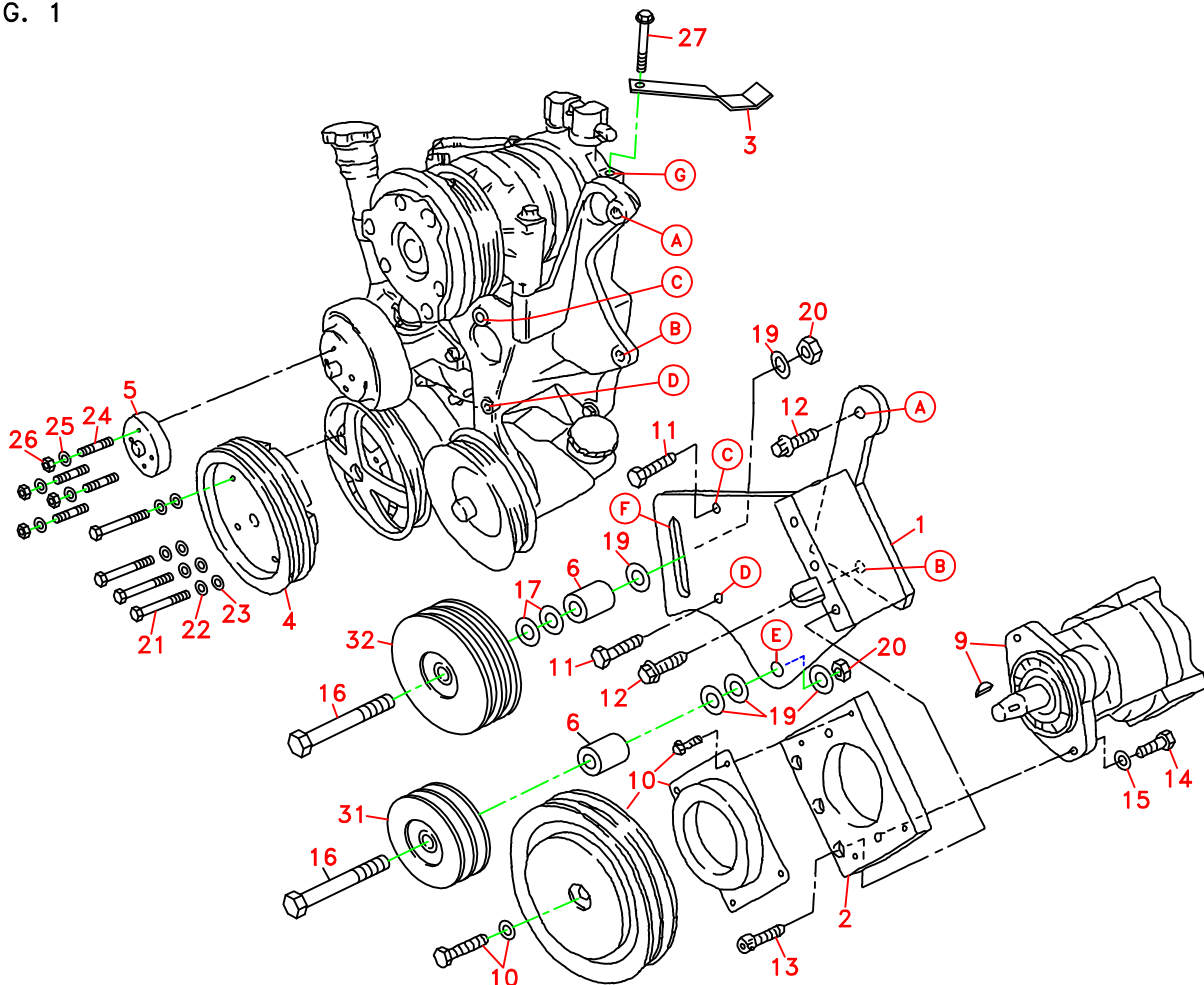


710067	Bracket Assy. (Inc. items 1-3)		Kit No.	700087
711002	Bracket Bolt Pkg. (Inc. items 11, 13)		Make	Chevy
710436	Pulley Bolt Pkg. (Inc. items 21-23)		Engine	6.5L
711003	Idler Bolt Pkg. (Inc. items 6,16-20)		Fuel	Diesel
700186	Fan Spacer Bolt Pkg. (Inc. item 24-26)		Year	1996
			Options	Turbo
			Revised	NC 11-22-95

ITEM	PART #	DESCRIPTION
1.	710998	Pump mounting bracket
2.	710936	Pump plate
3.	711001	Hose holder
4.	740071	Crankshaft pulley
5.	700207	Fan spacer
6.	711004	Idler spacer, 1.23" long
7.	120068	Hose splice
8.	700213	Hose extension, 3"
9.	*	Pump
10.	740037	Clutch, Standard
	740038	Clutch, Heavy Duty
11.	110479	10mm x 30mm x 1.50 bolt
12.	OEM	Bolt
13.	110395	3/8NC x 1 Skt hd bolt
14.	110425	3/8NC x 1 1/4 bolt
15.	110672	3/8 Lock washer
16.	110386	5/8NC x 3 1/2 bolt
17.	110668	5/8 Machine bushing (10 ga.)
18.	110669	5/8 Machine bushing (14 ga.)
19.	110650	5/8 Flat washer
20.	110639	5/8NC Lock nut
21.	110113	10mm x 90mm x 1.50 bolt
22.	110671	7/16 Lock washer
23.	110676	3/8 Flat washer
24.	710350	8mm x 65mm x 1.25 stud
25.	110674	5/16 Lock washer
26.	110643	8mm x 1.25 nut
27.	OEM	Bolt
28.	511084	Hose Clamp
29.	OEM	Hose Clamp
30.	740061	V-Belt, Gates A65
31.	740042	Idler pulley, V-groove
32.	740133	Idler pulley, Back Wrap

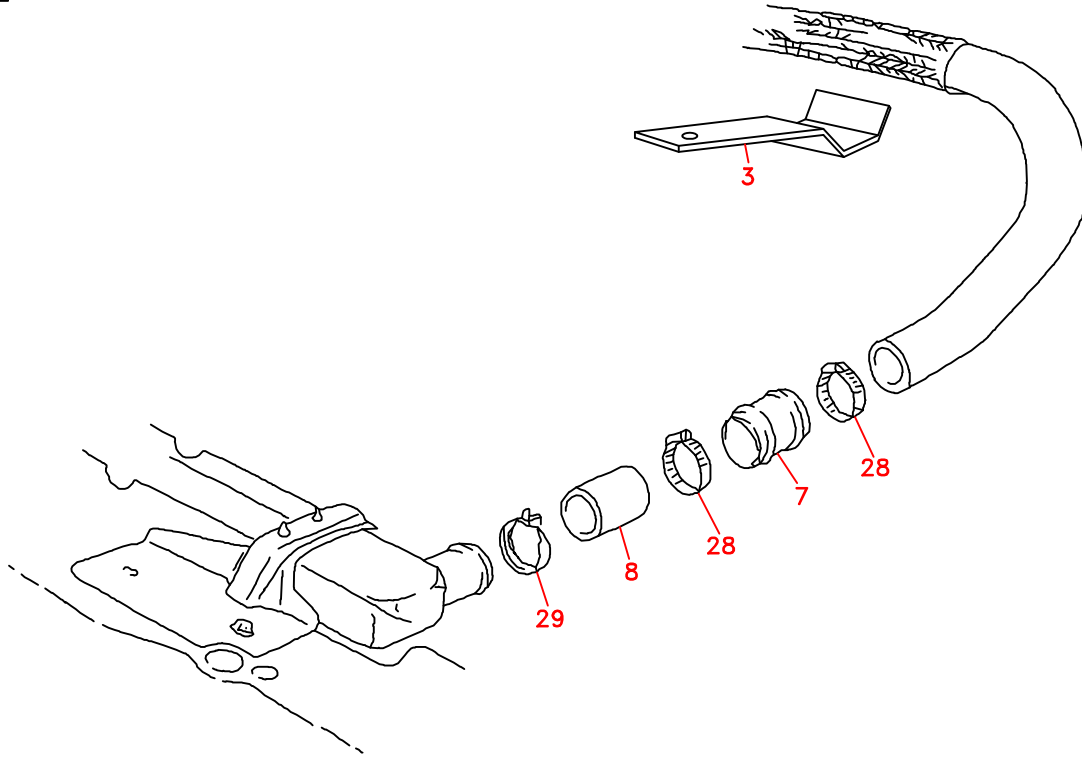
* See Master List For Pump Part No.

FIG. 1



(A) Denotes bolt holes in engine to locate corresponding holes in Pump Brkt.

FIG. 2



Chevy 6.5L Turbo Diesel
1996
Clutch Pump Kit #700087

INSTALLATION INSTRUCTIONS

NOTE: Suction hose to pump must be a wire braid hose; minimum 1" I.D. for 7 and 9 gpm pumps; 1 1/4" I.D. for 12 and 17 gpm pumps. Installation with smaller suction hoses will void the pump warranty.

1. Disconnect battery.
2. Remove radiator shroud and fan.
3. Unbolt OEM bolt (27) on air conditioner at location (G). Remove OEM hose holder.
4. Remove radiator hose from radiator. Place 3" section of radiator hose (8) on radiator, using OEM clamp (29). Insert brass hose splice (7) into 3" hose and place OEM hose over splice using hose clamps (28).
5. Place DewEze hose holder (3) on air conditioner at location (G) using OEM bolt (27).
6. Place small V-groove idler (31) with 5/8 x 3 1/2 bolt (16), bushing (6) and two 5/8 flat washers (19) onto hole (E) and secure with 5/8 flat washer (19) and 5/8 lock nut (20) on back of bracket. Hand tighten nut for now.
7. Place large idler (32) with 5/8 x 3 1/2 bolt (16), bushing (6), two thin 5/8 machine bushings (17), one 5/8 flat washer (19) onto slot (F) and secure with 5/8 flat washer (19) and 5/8 lock nut (20) on back side. Hand tighten nut for now.
8. Place bracket (1) into place using OEM bolts (12) at locations (A and B) and 10mm x 30mm bolts (11) at locations (C and D).
9. Bolt pump (9) onto back side of pump plate (2) using 3/8 x 1 1/4 bolts (14) and 3/8 lock washers (15).
10. Bolt pump and plate onto bracket using three 3/8 x 1 socket head screws (13).
11. Place clutch coil on pump plate using four wiz flange bolts provided with clutch. Place clutch onto pump shaft aligning keyway and securing with bolt and flat washer provided with clutch.
12. Install the DewEze crankshaft pulley (4) using four 10mm x 120mm bolts (21).
NOTE: The flange is short on the OEM pulley that centers the DewEze pulley. Make sure the flange and the machined DewEze pulley are lined up before tightening bolts.
13. Remove OEM stud bolts in water pump pulley.
14. Install the four 8mm x 65mm stud bolts (24), with the short-threaded end into the water pump. Slide the fan extension

(5) over the stud bolts and secure in place with two nuts (26) and flat washers (25). Do not mount fan at this time.

15. Install the A65 V-belts (30). Tighten idler bolts and all other bolts.
16. With belts tightened, run the engine and check for any installation or alignment problems. Adjust as needed. Retighten belts if needed.
17. Remove the two nuts and flat washers holding the fan extension. Install fan onto fan extension using all four nuts with flat washers.
18. Place fan and shroud into position.
19. Start and run the engine again, checking for any problems.

—