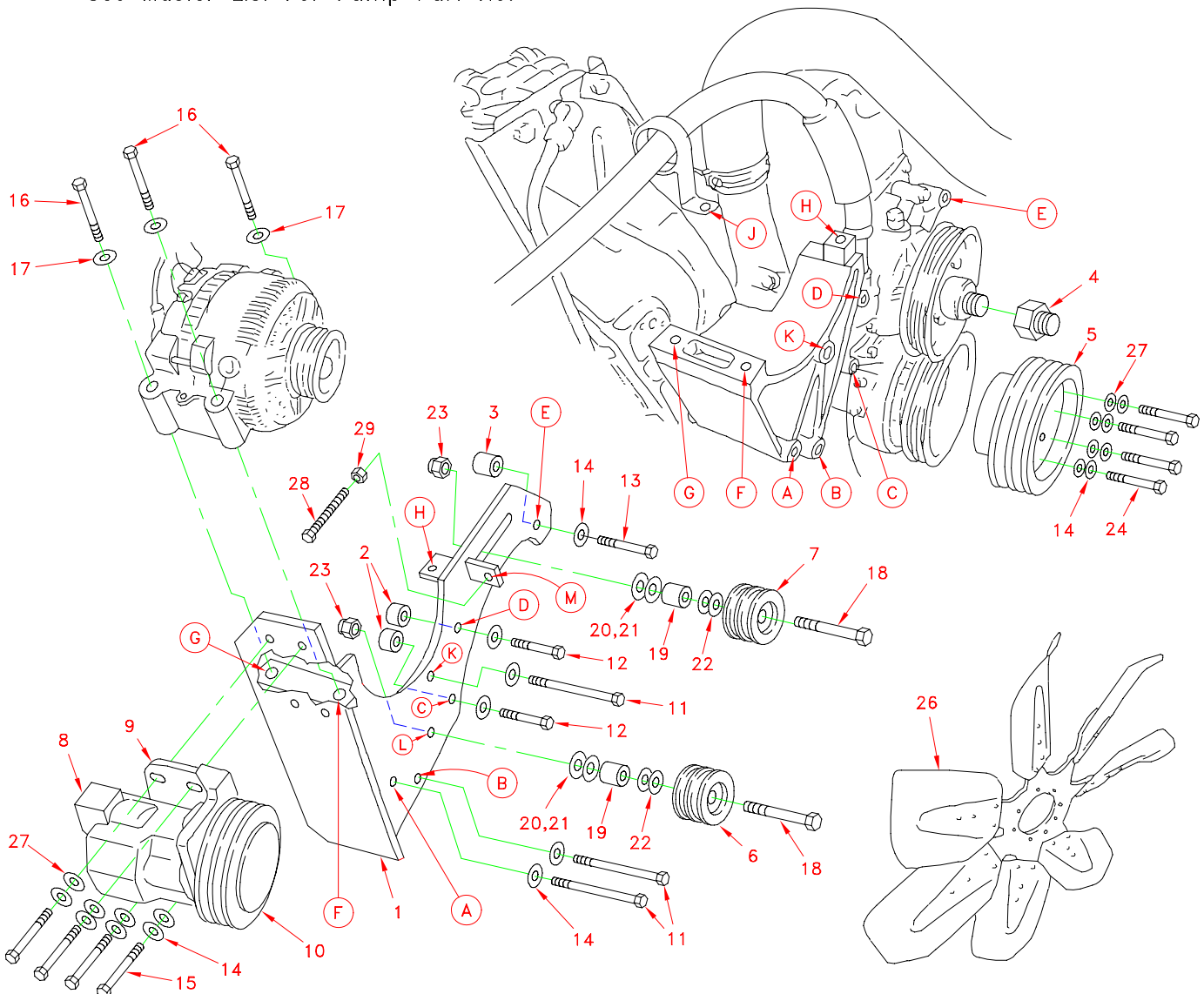


# DEWEZE Clutch Pump Kit

|        |  |         |           |
|--------|--|---------|-----------|
| 710052 | Bracket Assy. (Inc. item 1)                    | Kit No. | 700065    |
| 710787 | Bracket Bolt Pkg. (Inc. items 2,3,11-17,28,29) | Make    | Ford      |
| 710447 | Pulley Bolt Pkg. (Inc. items 14,24,27)         | Engine  | 7.3L      |
| 710360 | Idler Bolt Pkg. (Inc. items 18-23) 2 Reqd.     | Fuel    | Diesel    |
| None   | Fan Spacer Bolt Pkg.                           | Year    | 1992.5-94 |
|        |  | Options | A/C       |
|        |  | Revised | C 3-17-95 |

| ITEM | PART # | DESCRIPTION                  |
|------|--------|------------------------------|
| 1.   | 710052 | Bracket, Pump Mount          |
| 2.   | 710785 | Spacer, .725"                |
| 3.   | 710786 | Spacer, 1.20"                |
| 4.   | 700165 | Fan Spacer                   |
| 5.   | 740009 | Crankshaft Pulley            |
| 6.   | 740133 | Idler Pulley, Back-Wrap      |
| 7.   | 740042 | Idler Pulley, V-groove       |
| 8.   | *      | Pump                         |
| 9.   | 710353 | Footmount                    |
| 10.  | 740037 | Clutch, Standard             |
|      | 740038 | Clutch, Heavy duty           |
| 11.  | 710782 | 3/8 x 6 NC Bolt Gr.8         |
| 12.  | 710661 | 3/8 X 1 3/4 NC Bolt Gr.8     |
| 13.  | 710704 | 3/8 X 2 1/2 NC Bolt Gr.8     |
| 14.  | 510271 | 3/8 Lock Washer              |
| 15.  | 510113 | 3/8 x 1 1/4 NC Bolt          |
| 16.  | 710784 | 10mm X 85mm X 1.5 Bolt       |
| 17.  | 510260 | 7/16 Lock Washer             |
| 18.  | 310343 | 5/8 x 4 NC Bolt              |
| 19.  | 710233 | Spacer, 1.50"                |
| 20.  | 510255 | 5/8 Machine Bushing (10 ga.) |
| 21.  | 510256 | 5/8 Machine Bushing (14 ga.) |
| 22.  | 310344 | 5/8 Flat Washer              |
| 23.  | 710113 | 5/8 Lock Nut                 |
| 24.  | 710392 | 3/8 x 3 1/4 NC Bolt          |
| 25.  | 740066 | V-Belt, Gates A71            |
| 26.  | 700136 | Fan                          |
| 27.  | 510365 | 3/8 Flat Washer              |
| 28.  | 510092 | 1/2 x 4 NC Tap Bolt          |
| 29.  | 710534 | 1/2 NC Jam Nut               |

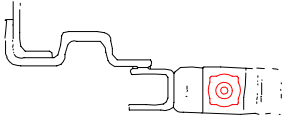
\* See Master List For Pump Part No.



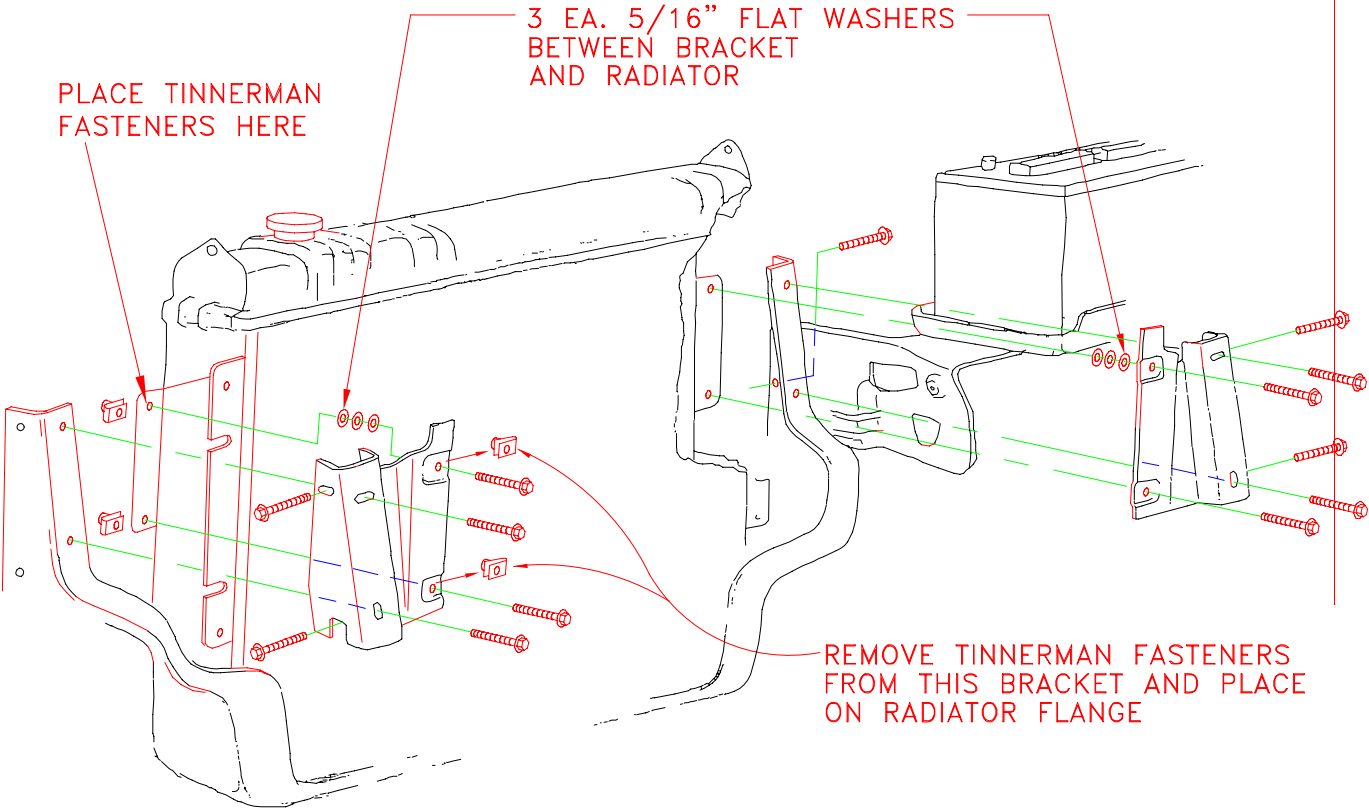
(A) Denotes bolt holes in engine to locate corresponding holes in Pump Brkt.

# DEWEZE

ORIGINAL BEFORE



AFTER MODIFICATION



DRAWING B