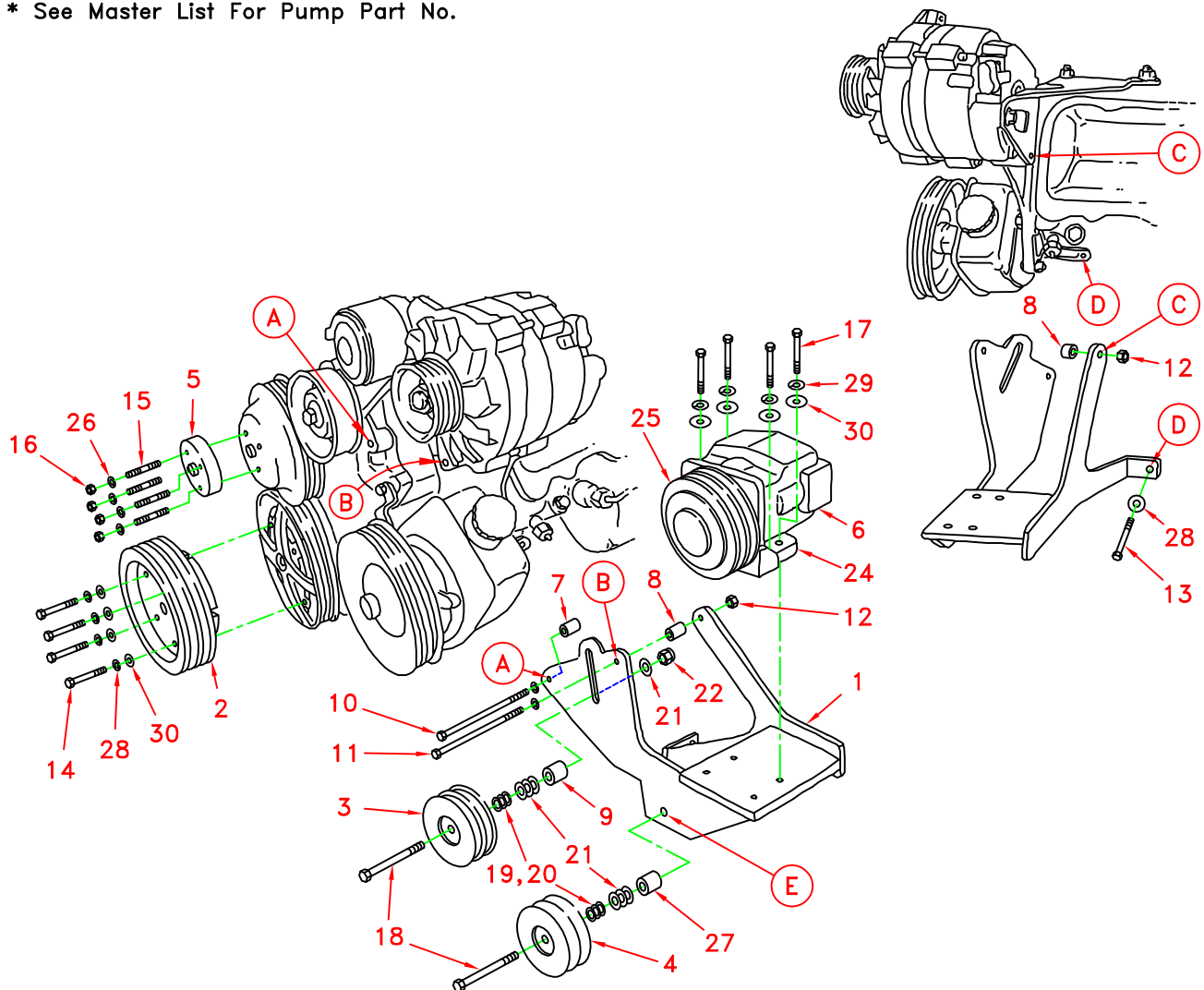


# DEWEZE

710037	Bracket Assy. (Inc. item 1)	Clutch Pump Kit	700062
710466	Bracket Bolt Pkg. (Inc. items 7,8,10-13,17,28-30)	Make	Chevy
710436	Pulley Bolt Pkg. (Inc. items 14,28,30)	Engine Size	6.5L
710360	Idler (3) Bolt Pkg. (Inc. items 9,18-22)	Fuel	Diesel
710841	Idler (4) Bolt Pkg. (Inc. item 18-22,27)	Year	1992-94
700186	Fan Spacer Bolt Pkg. (Inc. item 15,16,26)	Options	Turbo
		Revised	1-25-94

ITEM	QUAN	PART #	DESCRIPTION
1.	1	710037	Pump mounting bracket
2.	1	740071	Crankshaft pulley
3.	1	740040	Idler pulley
4.	1	740042	Idler pulley
5.	1	700207	Fan spacer
6.	1	*	Pump
7.	1	710138	Spacer, 1.310"
8.	1	710139	Spacer, .550"
9.	1	710233	Spacer, 1.50" long, 1.25 O.D.
10.	1	110511	10mm X 150mm X 1.5 bolt
11.	1	110541	3/8 X 6 1/4 NC bolt
12.	1	110621	3/8 Lock nut
13.	1	110526	10mm X 40mm X 1.5 bolt
14.	4	110113	10mm X 90mm X 1.5 bolt
15.	4	710350	10mm X 65mm X 1.25 stud
16.	4	110643	8mm X 1.25 thd. nut
17.	4	110425	3/8 X 1 1/4 NC bolt
18.	2	110385	5/8 X 4 NC bolt
19.	4	110668	5/8 Machine bushing (10 ga.)
20.	4	110669	5/8 Machine bushing (14 ga.)
21.	8	110650	5/8 Flat washer
22.	2	110639	5/8 Lock nut
23.	2	740059	V-belt, Gates A63
24.	1	710353	Footmount
25.	1	740037	Clutch, Standard
		740038	Clutch, Heavy Duty
26.	4	110674	5/16 Lock washer
27.	1	710840	Spacer, 1.50" long, 1.125 O.D.
28.	6	110671	7/16 Lock washer
29.	4	110672	3/8 Lock washer
30.	8	110676	3/8 Flat washer
31.	1	740130	Serpentine belt, short

\* See Master List For Pump Part No.



(A) Denotes bolt holes in engine to locate corresponding holes in Pump Brkt.

Chevy 6.5L Turbo Diesel  
1992-93  
Clutch Pump Kit #700062

INSTALLATION INSTRUCTIONS

NOTE: Suction hose to pump must be a wire braid hose; minimum 1" I.D. for 7 & 9 gpm pumps; 1 1/2" I.D. for 12 & 17 gpm pumps. Installations with smaller suction hoses will void the pump warranty.

1. Remove fan and shroud.
2. Cut 1 1/2" - 2" from top radiator hose next to radiator, to move hose away from clutch pulley to be installed.
3. Remove OEM serpentine belt. It will not be used again.
4. Remove four OEM bolts in crankshaft pulley.
5. Install the DewEze Crankshaft Pulley (2) using four 10mm X 120mm bolts (14).

NOTE: The flange is short on the OEM pulley that centers the DewEze pulley. Make sure the flange and the machined DewEze pulley are lined up before tightening bolts.

6. Remove OEM metric stud bolts in water pump pulley.
7. Install the four 8mm X 65mm stud bolts (15), with the short threaded end into the water pump.
8. Slide the Fan Extension (4) over the stud bolts and secure in place with two nuts (16) and flat washers.
9. Remove OEM belt tensioner assembly.
10. Remove OEM bolts at Holes A, B, and D.
11. Lower DewEze bracket into position.

NOTE: Bracket will go to the inside of the power steering pulley.

12. At Hole A use the 10mm X 150mm bolt (10), and lock washer, installing the 1.310 spacer (7) between bracket and engine.
13. At Hole B use the 3/8" X 6 1/4" NC bolt (11), installing the .550 spacer (8) between the back leg of the DewEze bracket and the back of the alternator. Use the 3/8" lock nut (12) to secure.
14. Install the 10mm X 40mm Bolt (13) at Hole D.
15. Assemble, then install, the pump and clutch assembly onto the DewEze bracket.

NOTE: You may need to bend the lip of the battery tray to allow installation of the V-belts.

16. Install the OEM belt tensioner and new shorter serpentine

- belt (31) provided in kit.
17. Install the A63 V-Belts (23).
  18. Align the pump and clutch assembly with the crankshaft pulley, using a straight edge. Securely tighten the four 3/8" X 1 1/4" bolts (17) holding the pump assembly to bracket.
  19. Install the Back Wrap Idler Pulley (3) using the 5/8" X 4" NC bolt (18) in the slot. Use 1.50" long x 1.250" O.D. Spacer (9) and the Machine Bushings and Flat Washers (19, 20, and 21) as needed to align the Idler Pulley with the belts. Use 5/8" Lock Nut (22) and Flat Washer (21) to tighten the idler bolt.
  20. Install the V-Groove Idler Pulley (4) using the 5/8" X 4" NC bolt (18) in hole E. Use 1.50" long x 1.125" O.D. Spacer (27) and the Machine Bushings and Flat Washers (19, 20, and 21) as needed to align the Idler Pulley with the belts. Use 5/8" Lock Nut (22) and Flat Washer (21) to tighten the idler bolt.
  21. With all belts tightened, run the engine, checking for any installation or alignment problems. Adjust as needed. Retighten belts, if needed.
  22. Remove nuts and flat washer holding the fan extension.
  23. Install fan onto the fan extension, and the shroud into original position.
  24. Start and run engine again, checking for any problems.