

# DEWEZE

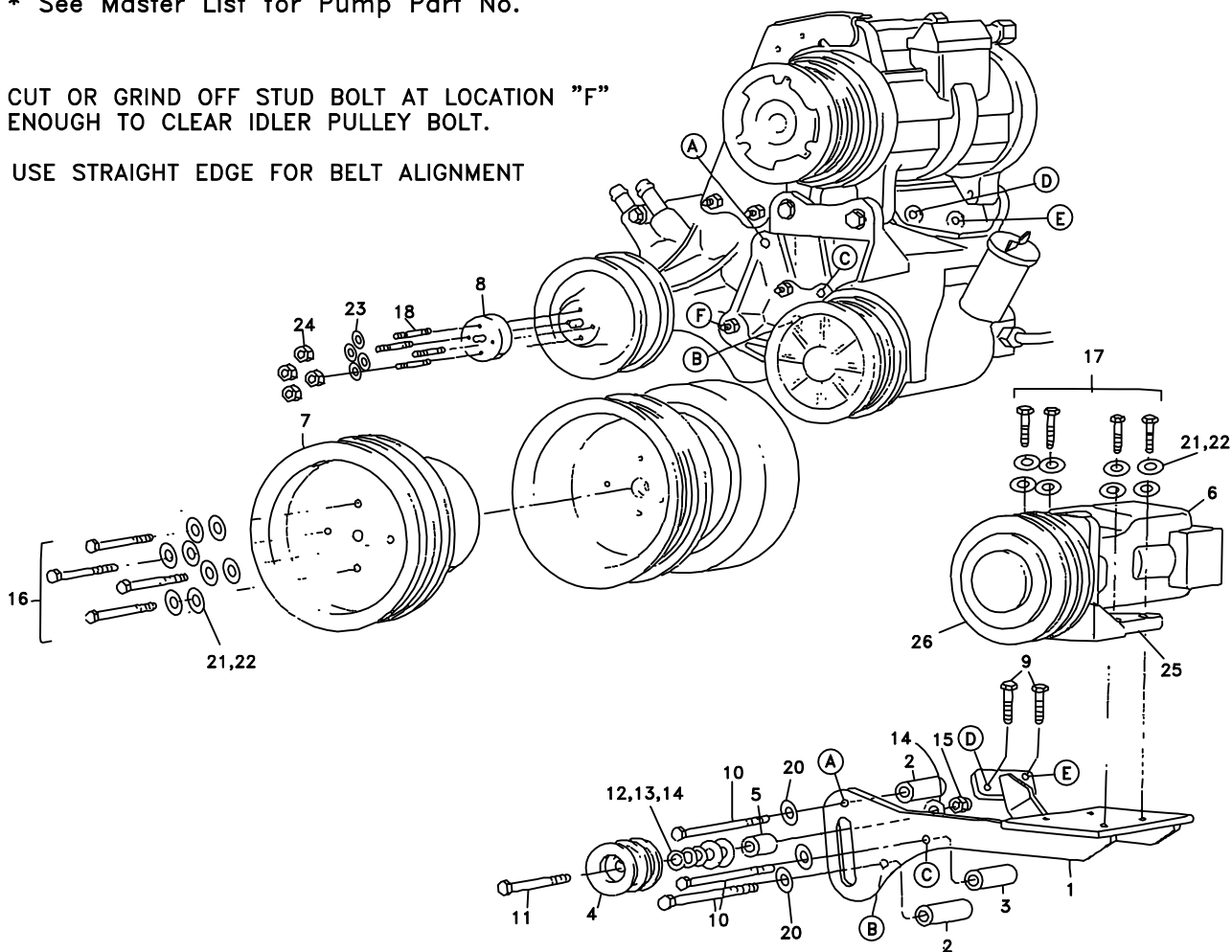
710033	Bracket Assy. (Inc. item 1)	Clutch Pump Kit	700034
710481	Bracket Bolt Pkg. (Inc. items 2,3,9,10,17,20-22)	Make	Ford
710446	Pulley Bolt Pkg. (Inc. items 16,21,22)	Engine Size	302
710360	Idler Bolt Pkg. (Inc. items 5,11-15)	Fuel	Gas
700181	Fan Spacer Bolt Pkg. (Inc. items 18,23,24)	Year	1987
		Options	
		Revised	11-30-93

ITEM	QUAN	PART #	DESCRIPTION
1.	1	710033	Pump Mounting Brkt.
2.	2	710253	Spacer, 1.625"
3.	1	710254	Spacer, 1.76"
4.	1	740040	Idler Pulley
5.	1	710233	Spacer, 1.50"
6.	1	*	Pump
7.	1	740022	Crankshaft Pulley
8.	1	700170	Fan Spacer
9.	2	110526	10mm X 40mm X1.5 Bolt
10.	3	110525	7/16" X 7 3/4" NC Bolt
11.	1	110385	5/8" X 4" NC Bolt
12.	1	110668	5/8" Machine Bushing(10 ga.)
13.	2	110669	5/8" Machine Bushing(14 ga.)
14.	4	110650	5/8" Flat Washer
15.	1	110639	5/8" NC Lock Nut
16.	4	110533	3/8" X 5" NC Bolt
17.	4	110425	3/8" X 1 1/4" NC Bolt
18.	4	710344	5/16" X 2" Stud Bolt
19.	2	740056	V-Belt, Gates A60
20.	5	110671	7/16" Lock Washer
21.	8	110672	3/8" Lock Washer
22.	8	110676	3/8" Flat Washer
23.	4	110674	5/16" Lock Washer
24.	4	110608	5/16" NC Nut
25.	1	710353	Footmount
26.	1	740037	Clutch, Standard
26.		740038	Clutch, Heavy Duty

\* See Master List for Pump Part No.

CUT OR GRIND OFF STUD BOLT AT LOCATION "F"  
ENOUGH TO CLEAR IDLER PULLEY BOLT.

USE STRAIGHT EDGE FOR BELT ALIGNMENT



(A) Denotes bolt holes in engine to locate corresponding holes in Pump Brkt.