

500282

FOR YOUR RECORDS

Date of Purchase ____ / ____ / ____

Dealer's Name _____

Dealer's Phone _____

Serial Number-Machine _____

Serial Number-Engine _____

© Deweze Mfg., Inc. 1994

The ATM logo is a registered trademark of DewEze Mfg., Inc.

All other brand and product names are trademarks or registered trademarks of their respective companies.

CONTENTS

OPERATION AND SERVICE

Introduction	1
Safety section	2
Pre-start instructions	3
Operating Controls	4
Driving guidelines	5
Operating instructions	6
Mower deck service	7
Cutting height adjustment	8
Leveling adjustment	9
Service schedule	10-11
Service locations	12
Trouble shooting	13-14

SCHEMATICS AND PARTS LISTS

Electrical schematic	16-17
Hydraulic system	18-19
Hydraulic schematic	20
Mower deck assembly	21
Blade and spindle	22-23
Gearbox and sprocket assembly	24-25
P.T.O. shaft and cover	26
Steering head assembly	27
Foot control assembly	28
Brake assembly	29
Engine	30-31
Rear frame assembly	32-33
Middle frame assembly	34-35
Front frame assembly	36
Decal locations	37

DEWEZE MANUFACTURING, INC.

WARRANTY POLICY

STATEMENT OF WARRANTY

DewEze Mfg., Inc. warrants to each purchaser of new DewEze equipment from an authorized dealer or representative, that such equipment to be free from manufacturing defects in normal service for a period of ONE YEAR, commencing with delivery to the original user.

The obligation of DewEze Mfg., Inc. under this warranty is expressly limited to our option, to replacement or repair at a service facility designated by DewEze or at the manufacturing plant in Harper, Kansas, of such part or parts as inspection shall disclose to have been defective. This warranty does not apply to defects caused by damage or unreasonable use (including failure to provide reasonable and necessary maintenance), or to tires, belts, blades, lights, or other normal maintenance items while in the possession of the consumer.

DewEze Mfg., Inc., makes no warranty with respect to trade accessories. They are subject to the warranties of their respective manufacturers.

The engine is subject to the factory warranty as outlined in the engine OWNER'S MANUAL and must be serviced by an authorized engine service facility.

ANY IMPLIED OR STATUTORY WARRANTIES, INCLUDING ANY WARRANTY OF MERCHANTABILITY OR FITNESS FOR A PARTICULAR PURPOSE, ARE EXPRESSLY LIMITED TO THE DURATION OF THIS WRITTEN WARRANTY. DewEze Mfg., Inc. makes no other express warranty, nor is anyone authorized to make any on behalf of DewEze Mfg., Inc.

For information on warranty procedures please contact your nearest dealer.

INTRODUCTION

TO THE DEWEZE ATM70c (ALL TERRAIN MOWER) OWNER OR OPERATOR:

It is important that you take the time to read this manual carefully before operating the machine. You should be familiar with all safety precautions and operating and service procedures. Operator knowledge and familiarity will make a difference in how the machine will perform.

This OWNER'S MANUAL was written to help you realize the full benefits of the machine and to help you maintain it so it will give you long and productive service.

The objective of DewEze Manufacturing in the design of the ATM 70c was to create a mowing machine which can function safely and comfortably on slopes and inclines. The result is a mowing machine which will automatically adjust itself to keep the operator in a vertical position on all slopes up to 30 degrees.

If you have any questions that are not covered in this manual, please feel free to contact your nearest dealer.

REGARDING PRODUCT CHANGES:

Following publication of this manual certain changes in standard equipment and options may have occurred which would not be included in these pages. Your DewEze dealer is the best source for up to date information.

DewEze Mfg., Inc. reserves the right to change product specifications at any time without incurring obligation to provide such updates to previously manufactured units.

DEWEZE MANUFACTURING, INC.

Rt. 2, Box 78
Harper, K.S. 67058

Phone: 800-835-1042 (out of state)
316-896-7381 (in Kansas)
Fax: 316-896-7129

!!! WARNING !!!

**DO NOT OPERATE THIS MACHINE
UNTIL YOU HAVE READ AND UNDER-
STOOD THIS OPERATOR'S MANUAL**

1. Never allow persons without proper instruction or children to operate the machine.
2. Wear Seat Belt at all times when operating a machine with roll over protection.
3. Never carry passengers.
4. Never direct discharge of material from the mower deck toward bystanders.
5. If leveling system malfunctions, turn down hill, proceed slowly to level ground and stop machine.
6. Never drive on a hill that is steeper than 30 degrees.
7. Before making repairs, maintenance, or adjustment, turn blade clutch to OFF. Turn the engine OFF. Remove the ignition key.
8. Before dismounting, turn off blades. Put foot control in neutral position and set parking brake. Stop engine and remove ignition key.
9. Relieve all pressure in the hydraulic system before disconnecting or working on hydraulic lines.
10. Keep all shields in place during machine operation.
11. Do not place hands or feet under deck.
12. Do not fill fuel tank while engine is running, or hot.
13. Place block under deck for support before performing maintenance on mower blades with deck raised.
14. Slow down when turning downhill. Fast turns may not allow leveling system to function properly.
15. Safety decals must be replaced on machine if missing or illegible. Safety decals are available free of charge from DewEze.

**!!! WARNING !!!
SLOW DOWN WHEN TURNING ON A HILL.
FAST TURNS MAY NOT ALLOW LEVELING
SYSTEM TO FUNCTION PROPERLY. AUTO
LEVEL WILL NOT WORK IF STEERING WHEEL
IS HELD AGAINST STOP DURING EXTREME
LEFT OR RIGHT TURN.**

**!!! DANGER !!!
TO AVOID PERSONAL INJURY, BEFORE
LEAVING THE SEAT, ALWAYS:
TURN BLADE SWITCH OFF.
RETURN FOOT CONTROL TO NEUTRAL.
SHUT OFF ENGINE.**

PRE-START INSTRUCTIONS

BEFORE STARTING: Be sure the engine is properly filled with oil and fuel.

CRANKCASE OIL: Fill the crankcase with an oil that meets the API (American Petroleum Institute) service designation CE/SF. Do not mix brands or grades of motor oil. Recommended oil viscosity for expected temperatures are listed in the service schedule on page 10.

!!! DANGER !!!
DO NOT REMOVE THE DIPSTICK WHILE THE ENGINE IS RUNNING. OIL MAY BLOW OUT THE FILL TUBE CAUSING INJURY.

HYDRAULIC OIL: Make sure that the hydraulic oil in the reservoir is at the proper level on dipstick. If not, fill with HD15-40 or HD10-40 motor oil. (HD15-40 SUPPLIED FROM FACTORY)

RECOMMENDED FUEL: Use clean, fresh, regular grade unleaded gasoline with an octane rating of 87 or higher. Using unleaded gasoline results in less engine maintenance. Avoid using fuel that has any alcohol content. Refer to the engine manufacturer's manual for further information on fuel.

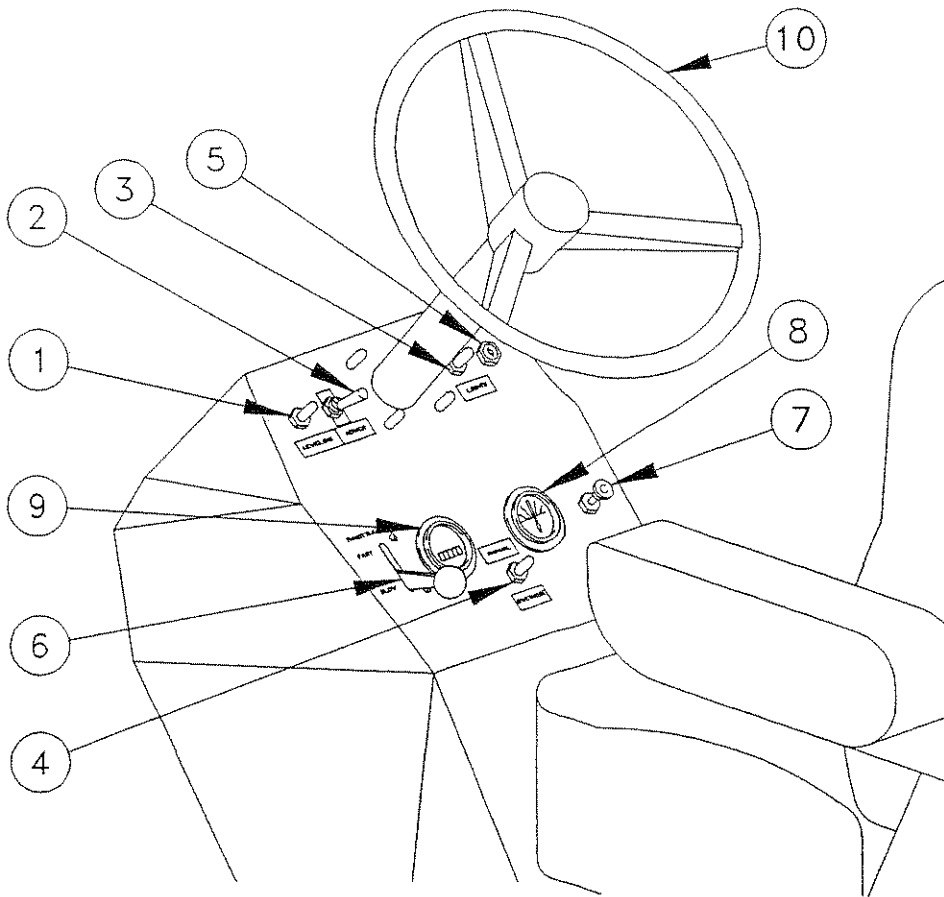
NOTE: If leaded gasoline is used continually, carbon and lead deposits must be removed from the cylinder heads as required because of engine power loss. Unleaded gasoline may be used safely after the lead deposits have been removed.

!!! WARNING !!!
AVOID POTENTIAL EXPLOSIONS! NEVER FILL THE FUEL TANK WHILE THE ENGINE IS RUNNING!

INSPECTION: Inspect the engine visually before starting. Check for loose or missing parts and any damage that may have occurred in shipment.

!!! IMPORTANT !!!
CHECK FOR SIGNS OF LOOSE BOLTS, BELTS, AND HOSES AFTER ONE HOUR AND DAILY THEREAFTER.

OPERATING CONTROLS



ITEM	DESCRIPTION
1.	Leveling Switch
2.	Blade Switch
3.	Light Switch
4.	Manual Override Switch
5.	Ignition Switch
6.	Throttle
7.	Choke
8.	Ammeter
9.	Hour Meter
10.	Steering Wheel

DRIVING THE DEWEZE ATM72

Driving the DEWEZE ATM72 with the automatic leveling device will be a new and different experience. After several minutes of driving, the smooth control and sturdy feel will become comfortable to you. The security of always sitting upright, and the feel of powerful, positive traction will give you confidence and comfort in most mowing situations. We urge EXTREME CAUTION lest your confidence in these features get you in trouble. REMEMBER: The features of the machine cannot replace good common sense!

SOME GUIDELINES:

1. Take some time to get used to the handling characteristics of the machine.
2. Always look before backing up.
3. SLOW DOWN over rough terrain.
4. DO NOT make sharp turns at high speeds.
5. Always keep your feet on the foot-rests while operating the machine.
6. Never attempt to operate the machine when it is malfunctioning.
7. Never attempt to climb slopes greater than 30 degrees.
8. If it is necessary to park the mower on a hill, be sure to USE THE PARKING BRAKE AND CHOCK THE WHEELS!
9. Wear appropriate, protective clothing while operating the mower.
10. NEVER ALLOW PEOPLE IN THE AREA YOU ARE MOWING!
11. Always avoid mowing over debris that could be projected from the mower discharge or do damage to the machine or anything in the area.
12. FOR BEST RESULTS OPERATE THE MOWER ENGINE AT FULL THROTTLE. This will allow the blades to turn at optimum speed, and the leveling device to be the most responsive. Forward speed is easily controlled with the foot control pedal.
13. Slow down when turning on a hill. Fast turns may not allow the leveling system to function properly. Auto level will not work if steering wheel is held against stop during extreme left or right turns.
14. Before dismounting, turn off blades. Place foot control in neutral position and set parking brake. Stop engine and remove ignition key.

OPERATING TIPS

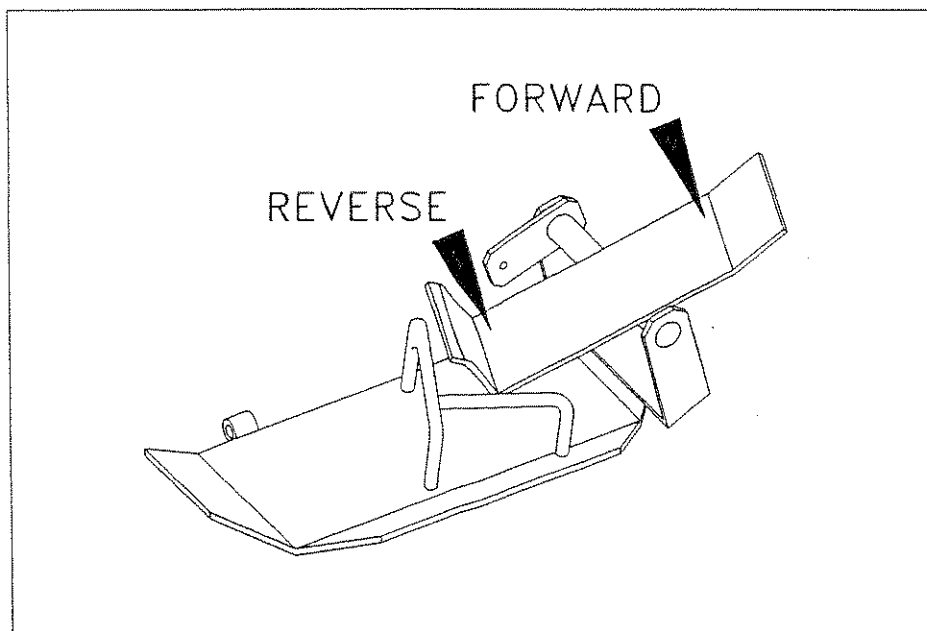
1. READ SAFETY DECALS.
2. ALWAYS CHECK ENGINE OIL AND HYDRAULIC OIL LEVELS BEFORE STARTING.
3. MAKE SURE YOU HAVE PLENTY OF FUEL.
4. VISUALLY CHECK TIRES.
5. ADJUST SEAT TO COMFORTABLE POSITION.
6. ALWAYS USE GOOD JUDGEMENT WHEN USING THIS MACHINE.

OPERATING INSTRUCTIONS

STARTING:

1. Put foot control in neutral position.
2. Turn all electrical switches to the OFF position.
3. Move throttle forward about 1/3.
4. Turn switch to HEAT position for 30 seconds if temperature is below 40 degrees.
5. Turn the key all the way to the right until the engine starts, then release key.
6. In cold weather, run engine long enough to allow the hydraulic oil to warm up before using the mower.
7. To move forward -- push toe of foot control forward.
To move backward -- push heel of foot control down.
8. To STOP -- move the foot control to neutral position.

CAUTION: ALWAYS MOVE FOOT CONTROL GRADUALLY!



540323

IMPORTANT: CHECK FOR SIGNS OF LOOSE BOLTS, BELTS, HOSES AND OTHER COMPONENTS AFTER ONE HOUR OF OPERATION AND DAILY THEREAFTER.

MOWER DECK SERVICE

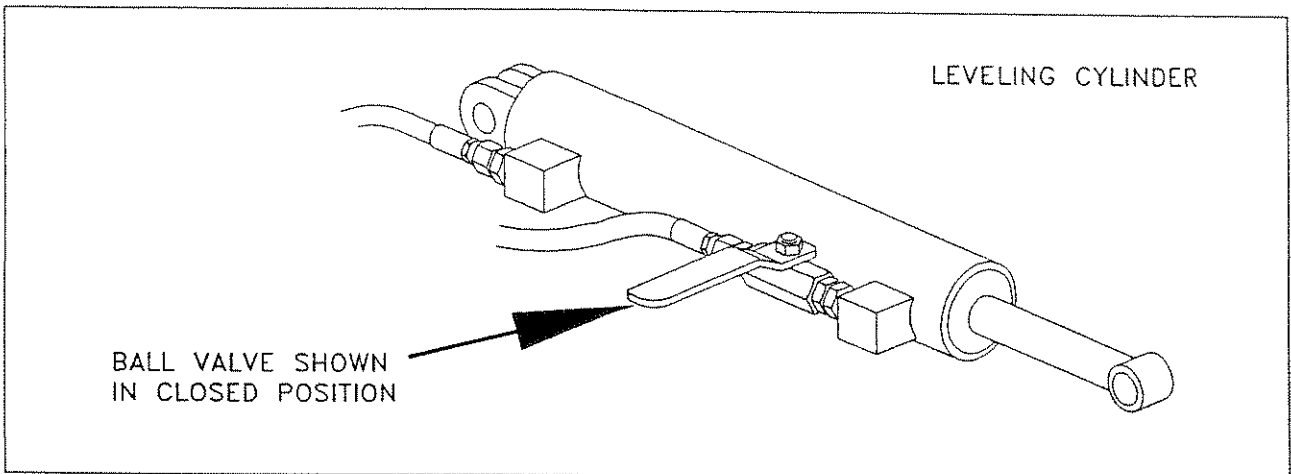
The DEWEZE ATM70c is equipped with a leveling system override. This override allows you to raise the mower decks without the need for jacks. It eliminates the need to crawl under the machine for blade and deck maintenance.

TO RAISE DECK:

1. Move foot control to neutral and make sure that the switch for the mower blades (item 2, page 4) is in the OFF position.
2. Set parking brake located on right side of seat.
3. Start engine with throttle at idle.
4. Turn the leveling switch (item 1) to the OFF position.
5. Dismount the tractor.
6. Push the override switch (item 4) in the direction you want tractor to lean, away from the deck you wish to raise. Hold switch until the tractor lays completely over.
7. Release the switch and close the ball valve on the leveling cylinder opposite of the deck to raise (refer to drawing below).
8. Push the same override switch (item 4) in the opposite direction from instruction 6. Hold switch until deck raises all the way up.
9. TURN ENGINE OFF!

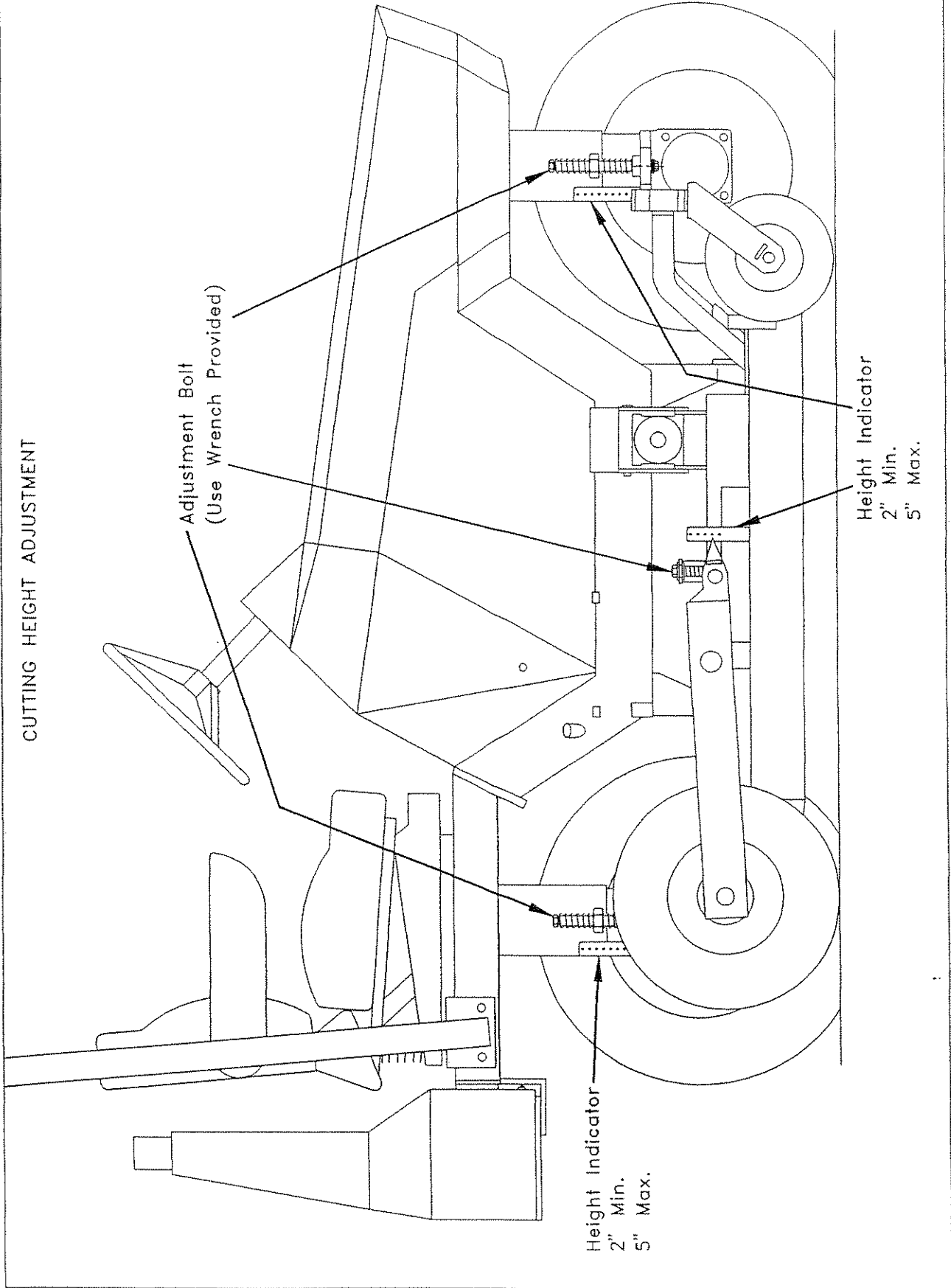
TO LOWER DECK:

1. Open the same valve that you closed previously and the deck will lower.
2. After deck has lowered, with the foot control in neutral position, start the engine.
3. Turn the leveling switch (item 1) to the ON position: mower will return to the upright position.
4. Release the parking brake.



520506

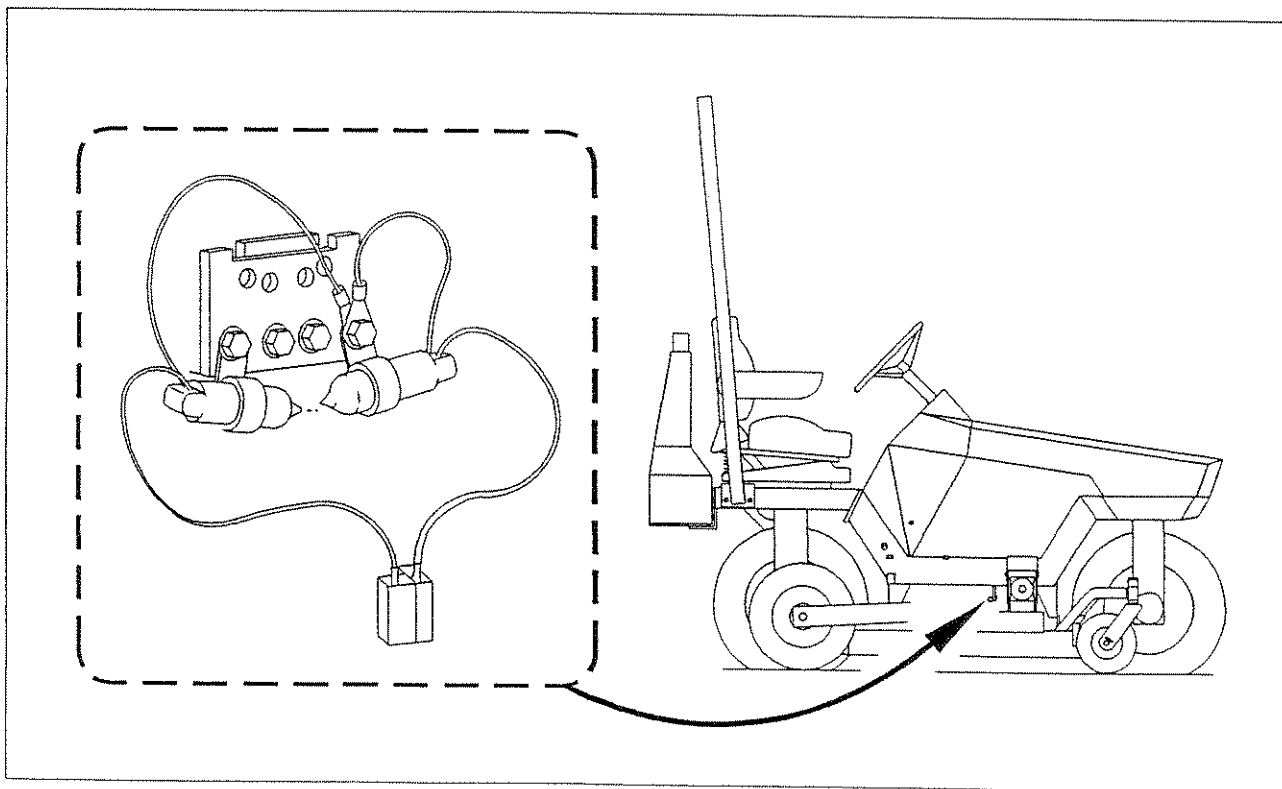
CUTTING HEIGHT ADJUSTMENT



PROCEDURE FOR ATM72 LEVELING ADJUSTMENT

1. Make sure the mower is set up for level cut and is on level ground.
2. Remove mercury switch cover.
3. Start engine and push throttle control to full open.
4. Turn leveling switch (Item 1, page 4) to ON position.
5. Hold Manual Override Switch (Item 4, page 4) to the left until tractor is leaning fully to the left. Release switch.
6. If tractor does not return to upright, loosen mounting bolt on the LEFT mercury switch. Move outer end of the LEFT mercury switch DOWN slightly. Repeat Step 6 and adjust mercury switch until tractor returns to upright. Tighten mounting bolt.
7. If tractor returns past upright, loosen mounting bolt on the LEFT mercury switch. Move outer end of the LEFT mercury switch UP slightly. Repeat Step 6 and adjust mercury switch until tractor stops at upright. Tighten mounting bolt.
8. Repeat the above procedures, tilting tractor to the RIGHT, and adjusting the RIGHT mercury switch.
9. If tractor continues to move left and right after returning to upright, move the outer end of BOTH mercury switches UP slightly and repeat the above adjusting procedures.

MERCURY SWITCHES (Looking from rear of mower)



SERVICE SCHEDULE

DAILY

1. Check fuel level ----- Use regular grade unleaded fuel.
2. Check engine oil level -----Use HD15W40
3. Check hydraulic oil level----- Use 15W40 or 10W40 motor oil.
4. Clean engine air ----- Use warm soapy water and rinse.
pre-filter
5. Visually inspect: ----- Belts, bolts, fittings, hoses and accumulator (for signs of leaks or looseness);
engine (for signs of obstruction of air cooling and excess dirt).
6. Continually look and listen for signs of hydraulic malfunction (excessive noise, sluggish control response,
etc.). If signs occur STOP IMMEDIATELY or serious damage to hydraulic components could occur!
At the first sign of abnormal hydraulic function check the hydraulic oil level. Change hydraulic oil filter and
refill oil as needed.

25 HOUR SERVICE - THE FOLLOWING AND ALL PREVIOUS ITEMS

1. Change engine oil ----- Use HD15W40 (Capacity - 2 Qts. with filter)
and filter
2. Clean air filter ----- Remove excess dirt and debris which restricts air flow. Keep air filter
assembly tight.
3. Check battery water -----Refill if necessary.
level.
4. Check splitter gear----- Fill with 90 weight gear lube.
box
5. Check outer gear boxes -----Fill with 90 weight gear lube.
6. Visually inspect -----Bolts, hoses, and fittings for signs of loosening.
7. Lubrication ----- Grease front casters, caster swivels, steering mechanism, and blade shafts.
8. Check tire pressure -----Front, rear drive tires ----- 9 to 11 lbs.
Stabilizer tires ----- 50 lbs.
Front caster tires ----- 60 lbs.
9. U-joints ----- Grease joints. Make sure guards are in place.

KEEP BLADES SHARP AT ALL TIMES

SERVICE SCHEDULES (cont.)

ANNUAL SERVICE SCHEDULE - THE FOLLOWING PLUS ALL PREVIOUS ITEMS

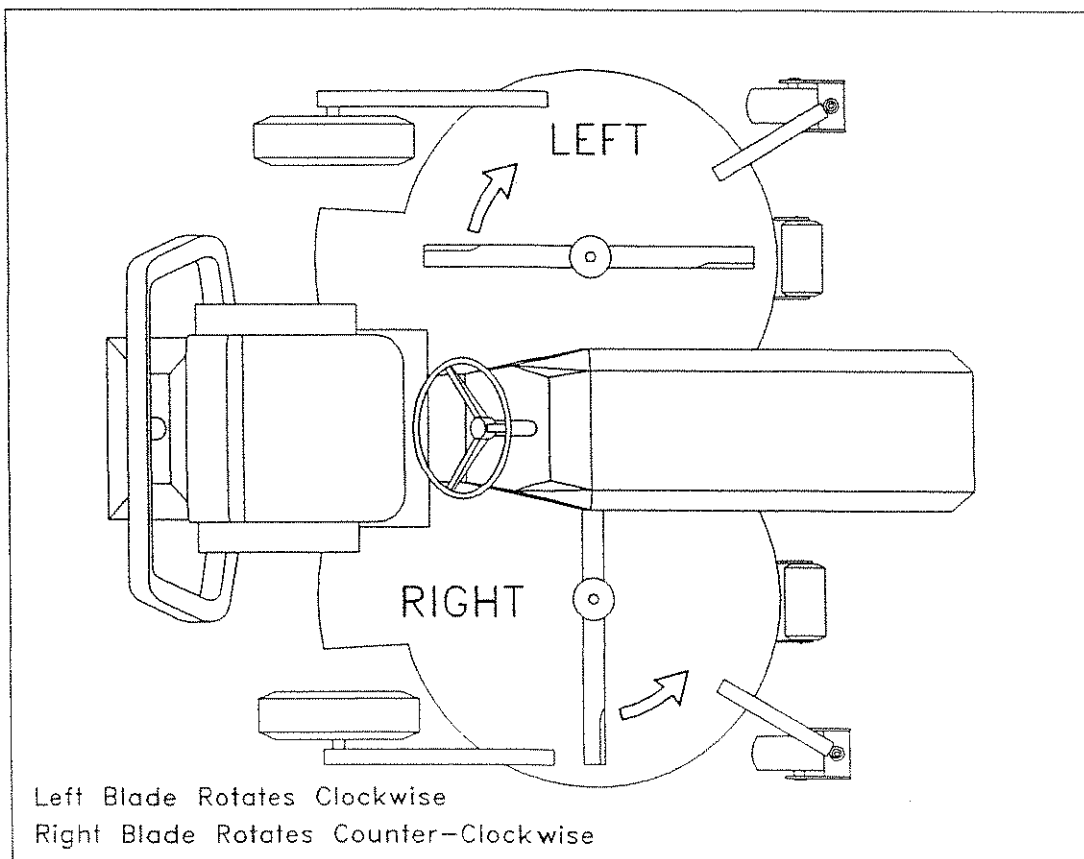
1. Replace hydraulic filter ----- Use a Zinga spin-on suction filter no. 520403 annually or every 100 hours
2. Grease stabilizer wheels ----- Use a high quality Bearing Grease
3. Upper and lower steering ---- Pack with high quality Bearing Grease pivot bearings

FOR STORAGE DURING OFF SEASON

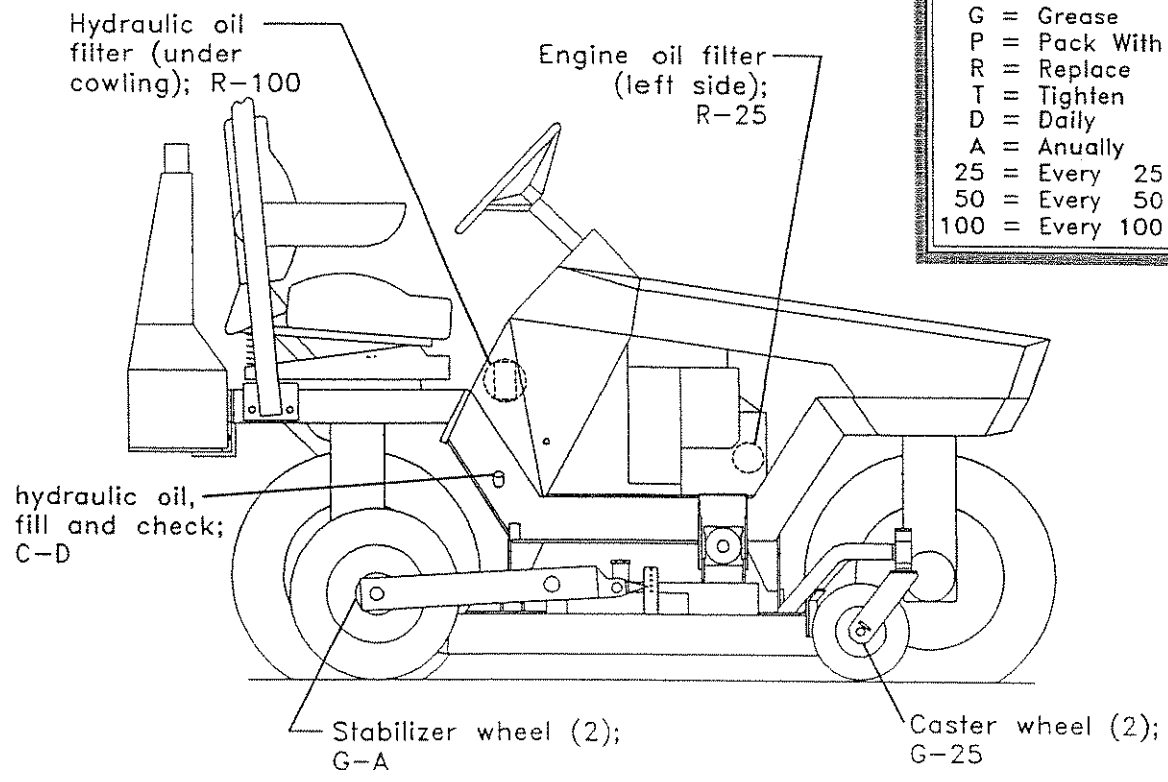
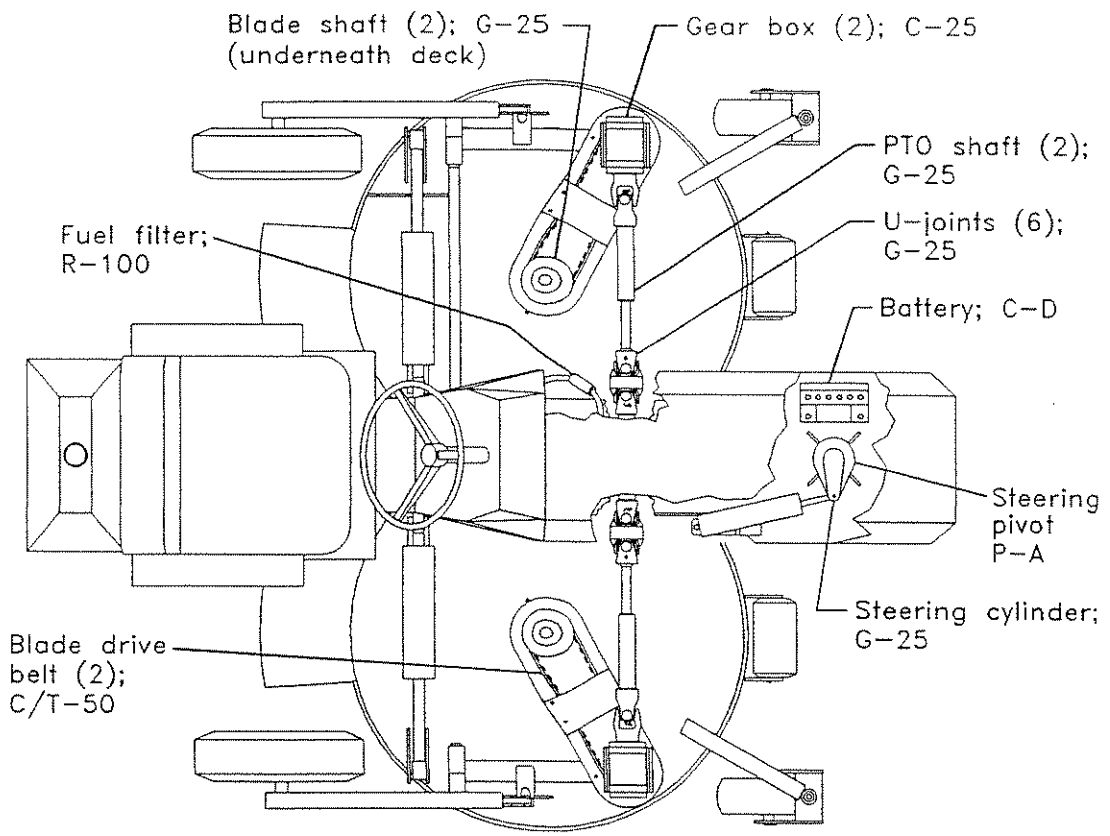
1. Shut off fuel at sediment bowl and run engine until it stops.
2. Fill tank with fuel.
3. Maintain tire pressure as specified above.

BLADE TIMING INSTRUCTIONS (see drawing below)

1. Loosen timing belt adjustment tensioner screw, remove two bolts and one nut and remove cover plate.
2. Inspect belt for wear - Replace if worn!
3. Replace cover and bolts and nuts.
4. Loosen four bolts in cover plate that gearbox mounts to.
5. Position blades perpendicular to each other as shown.
6. Tighten belt with adjustment screw so that it takes 10 lbs. pressure to depress belt 1/4" at check port in belt shroud.
7. Tighten all bolts securely.



SERVICE CHART



C	=	Check
G	=	Grease
P	=	Pack With Grease
R	=	Replace
T	=	Tighten
D	=	Daily
A	=	Anually
25	=	Every 25 hours
50	=	Every 50 hours
100	=	Every 100 hours

TROUBLE SHOOTING

SYMPTOMS	POSSIBLE CAUSE	REMEDY
1. Engine fails to start	a. Choke not pulled -----	Pull choke
	b. Fuse blown -----	Replace fuse (30 amp)
	c. Dead battery -----	Recharge battery
	d. Dirty fuel filter -----	Replace fuel filter
	e. Out of fuel -----	Fill fuel tank
	f. Foot control not in neutral position -----	Move foot control to neutral
2. Loss of engine power	a. Dirty air cleaner -----	Clean or replace
	b. Transmission oil level low -----	Fill tank to proper level
	c. Parking brake too tight -----	Adjust brake
	d. Dirty fuel filter -----	Replace fuel filter
3. Noisy operation	a. Low oil level in hydraulic tank -----	Refill to proper level
	b. Low hydraulic pressure -----	See your dealer for repairs
	c. Air leak in pump supply line -----	Tighten or replace bad hose or fitting
	d. Low lubricant level in gear boxes -----	Refill with proper lube
	e. Blades out of time -----	See instructions page 11
	f. Blade spindle failure -----	Replace bearings
4. Loss of hydraulic power	a. Low oil level in hydraulic tank -----	Refill to proper level
	b. Low hydraulic pressure -----	See your dealer for repairs

TROUBLE SHOOTING (cont.)

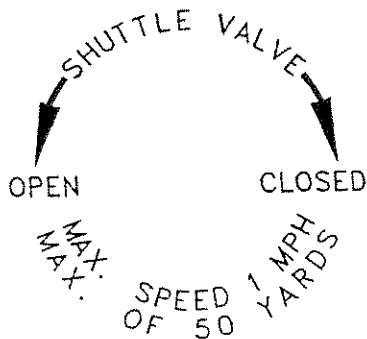
SYMPTOM	POSSIBLE CAUSE	REMEDY
5. Loss of auto-leveling	a. Fuse blown -----	Replace fuse (30 amp).
	b. Sensor(s) out of place or loose wire-----	Re-install sensor and tighten
	c. Sensor bad or wire lead broken -----	Replace sensor.
	d. Electronic relays malfunctioning -----	Replace bad relay.
	e. Solenoid valve not working -----	1. Operate valve manually to assess cause of problem 2. Replace solenoid.

NOTE: AUTO LEVEL WILL NOT WORK IF STEERING WHEEL IS HELD AGAINST STOP DURING EXTREME RIGHT OR LEFT TURN.

6. Mower blades will not engage	a. operator not seated correctly -----	Sit firmly in seat to contact safety switch
	b. Loose belts-----	Be sure all belts are tight
	c. Switch malfunction-----	Replace switch.

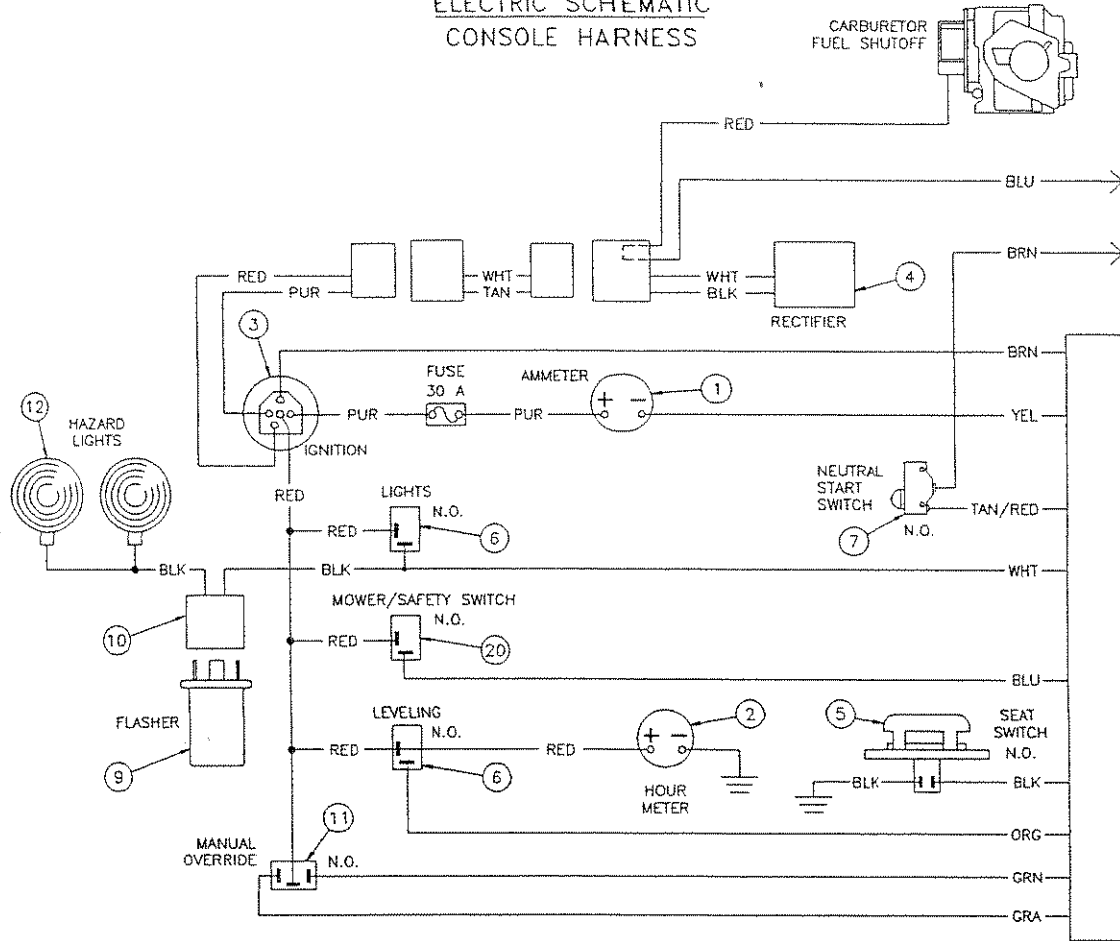
TO MOVE MOWER IN CASE OF ENGINE OR HYDRAULIC POWER FAILURE

- To move mower open shuttle valve located on right-hand side of cowling by rotating 180 degrees with a screwdriver.
- Mower may be moved a short distance with shuttle valve open.
- MOVING THE MOWER AT MORE THAN ONE M.P.H. FOR MORE THAN 50 YARDS MAY CAUSE SERIOUS DAMAGE TO THE WHEEL MOTORS AND HYDRAULIC PUMPS.
- Close shuttle valve before operating mower.



SCHEMATICS AND PARTS SECTION

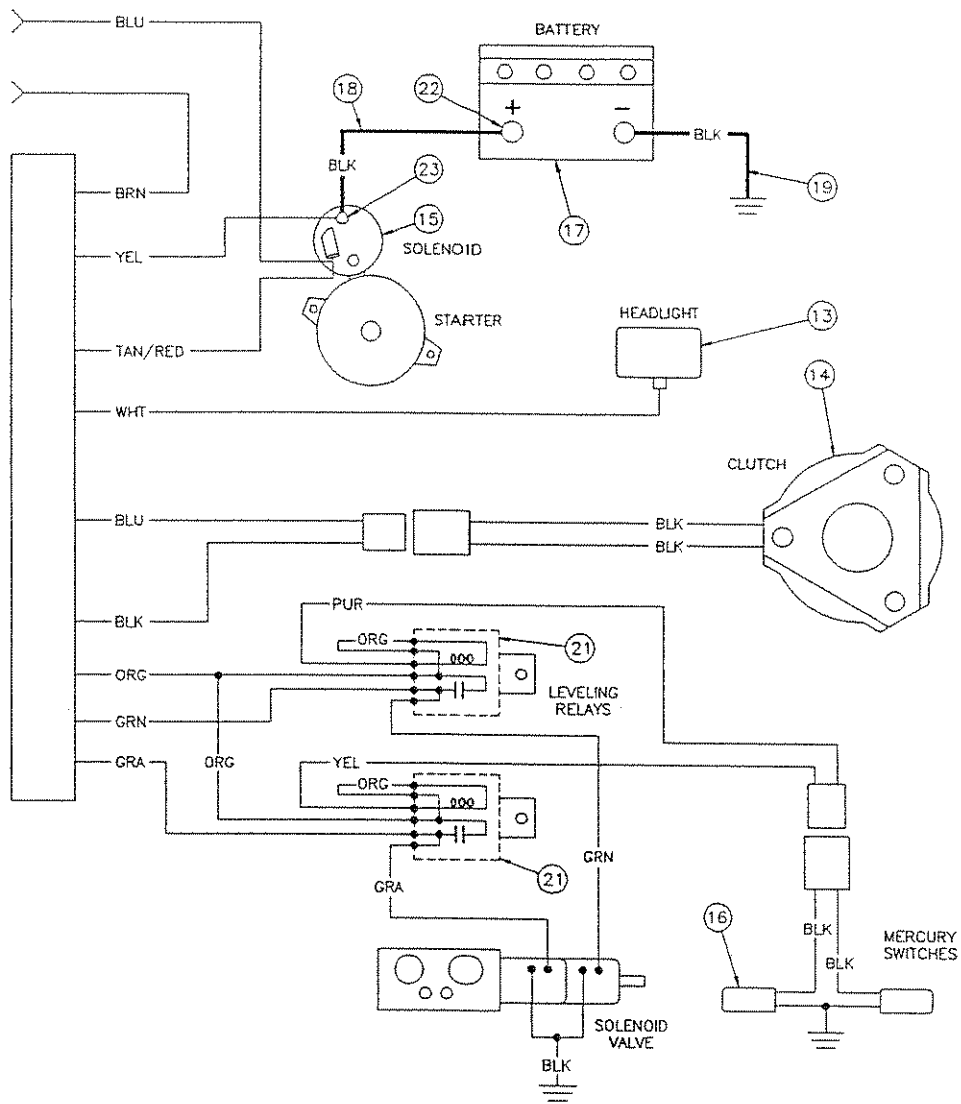
ELECTRIC SCHEMATIC CONSOLE HARNESS



N.O. = NORMALLY OPEN

1	530011	AMMETER
2	530009	HOUR METER
3	530016	IGNITION SWITCH
4	530029	RECTIFIER
5	530113	SAFETY SWITCH / SEAT
6	530007	SWITCH, SPST
7	530038	NEUTRAL START SWITCH
8	530097	CONSOLE WIRING HARNESS
9	530034	FLASHER
10	530025	FLASHER HARNESS
11	530020	SWITCH, SPDT
12	530032	HAZARD LIGHT

ELECTRIC SCHEMATIC MOWER HARNESS

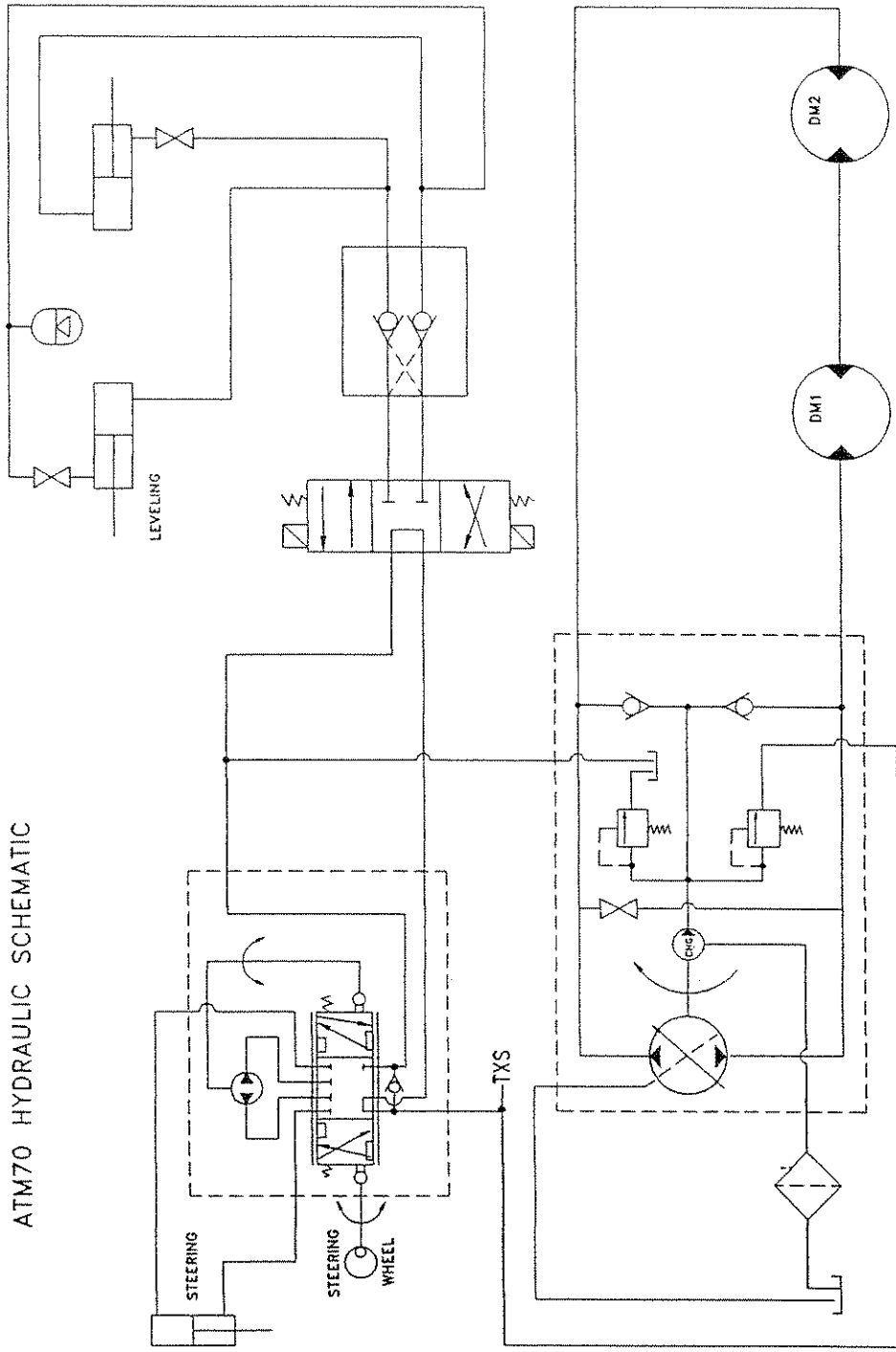


13	530010	HEADLIGHT
14	530004	BLADE CLUTCH
15	530114	SOLENOID
16	530076	MERCURY SWITCH
17	530017	BATTERY
18	530002	SOLENOID CABLE
19	530001	BATTERY GROUND CABLE
20	530100	PULL-ON SWITCH / DECK SAFETY
21	530028	RELAY
22	530035	INSULATOR / BATTERY TERM.
23	530036	INSULATOR / SOLENOID TERM.
24	530098	MOWER WIRING HARNESS

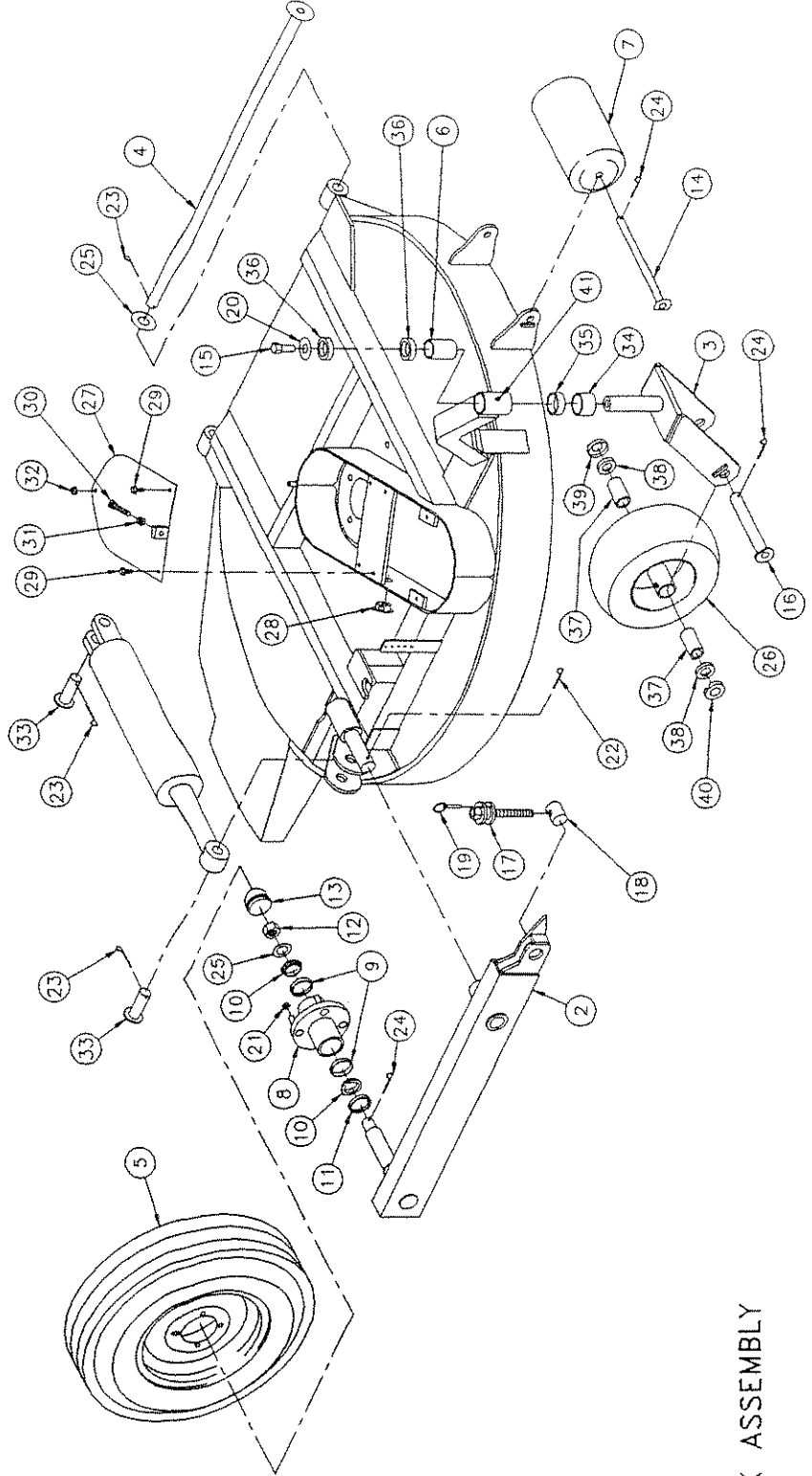
HYDRAULIC SYSTEM

ITEM	PART NO.	DESCRIPTION
1.	720079	ADAPTER, 90 DEGREE
2.	520012	ADAPTER (2)
3.	520017	ADAPTER, TEE (3)
4.	520018	ADAPTER, TEE (2)
5.	520019	ADAPTER, 90 DEGREE
6.	520024	ADAPTER, 90 DEGREE (2)
7.	520025	ADAPTER, 90 DEGREE
8.	520026	ADAPTER, 90 DEGREE (2)
9.	520033	ADAPTER (3)
10.	520034	ADAPTER, 45 DEGREE (2)
11.	520035	ADAPTER, 90 DEGREE (2)
12.	520093	ADAPTER (2)
13.	520094	ADAPTER, 45 DEGREE (2)
14.	520095	ADAPTER, 90 DEGREE (2)
15.	520116	ADAPTER (4)
16.	520118	ADAPTER, 90 DEGREE (2)
17.	520030	ADAPTER, 90 DEGREE
18.	520435	ADAPTER, 90 DEGREE (2)
19.	520436	HOSE BARB
20.	520437	ADAPTER (2)
21.	720072	STREET ELL
22.	720094	HOSE BARB
23.	-----	-----
24.	520438	CAP
25.	520433	BALL VALVE (2)
26.	500240	HOSE CLAMP #6 (2)
27.	520098	HOSE CLAMP 1/2 (4)
28.	520400	HYDRAULIC PUMP
29.	520163	STEERING PUMP
30.	520505	SOLENOID VALVE
31.	520403	FILTER ELEMENT
32.	520402	FILTER HEAD ASSEMBLY
33.	520092	ACCUMULATOR
34.	520001	STEERING CYLINDER
35.	520404	LEVELING CYLINDER (2)
36.	520005	WHEEL MOTOR (2)
37.	520162	STEERING COLUMN
38.	520421	HOSE
39.	520420	HOSE
40.	520497	HOSE
41.	520053	HOSE ASSEMBLY
42.	520055	HOSE ASSEMBLY (2)
43.	520057	HOSE ASSEMBLY
44.	520058	HOSE ASSEMBLY
45.	520499	HOSE ASSEMBLY
46.	520500	HOSE ASSEMBLY
47.	520501	HOSE ASSEMBLY (2)
48.	-----	-----
49.	520502	HOSE ASSEMBLY
50.	520503	HOSE ASSEMBLY
51.	-----	-----
52.	520413	HOSE ASSEMBLY
53.	520504	HOSE ASSEMBLY
54.	520414	HOSE ASSEMBLY
55.	520415	HOSE ASSEMBLY (3)
56.	520461	HOSE ASSEMBLY

ATM70 HYDRAULIC SCHEMATIC

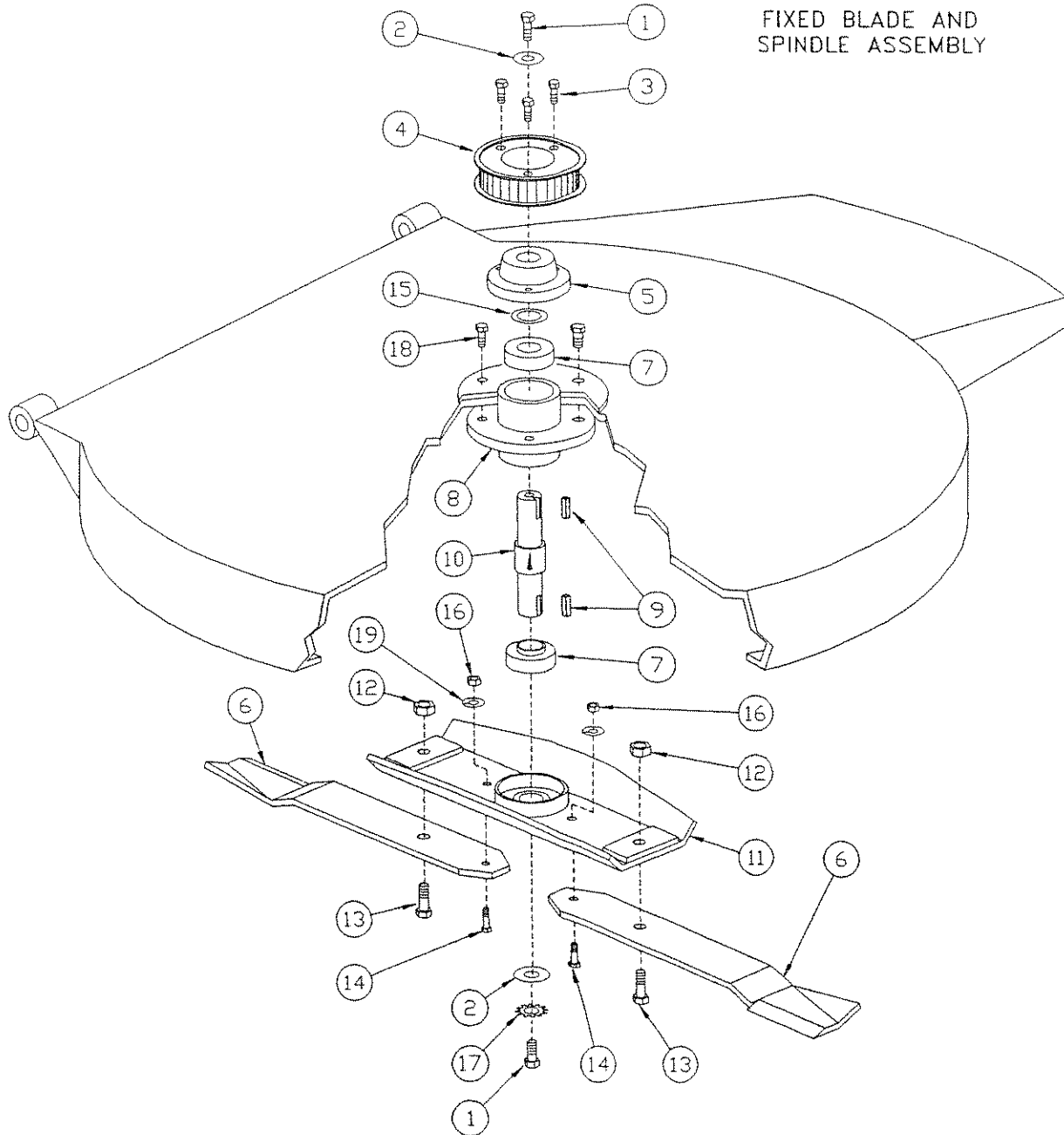


ITEM	PART NO.	DESCRIPTION
1	510303	Mower deck, right
2	510304	Mower deck, left
3	510074	Stabilizer arm, right
4	510075	Stabilizer arm, left
5	510167	Yoke, caster wheel
6	510051	Center pivot rod
7	510345	Wheel and tire assy.
8	510233	Wheel, stabilizer
9	510344	Tire, stabilizer
10	511149	Bushing
11	510047	Roller
12	500135	Hub
13	510465	Race
14	510466	Bearing
15	510467	Seal
16	510468	Castle nut
17	510469	Dust cap
18	510281	Roller pin
19	110050	Bolt, 1/2NCx3/4
20	510263	Pin, caster wheel
21	510093	Adjustment screw
22	510005	Pin, arm adjustment
23	510400	Cotterless hitch pin
24	510258	Flat washer, 7/16
25	510464	Lug nut
26	510175	Cotter pin
27	510462	Cotter pin
28	510463	Cotter pin
29	510461	Flat washer, 3/4
30	510347	Caster tire and wheel
31	510187	Cover plate
32	510186	Plug
33	510196	Wizflange bolt
34	510197	Bolt, 5/16NCx2-1/2 tap
35	510208	Nut, 5/16NC
36	510096	Nut, 5/16NC wiz
37	510394	Pin, cylinder
38	510822	1" shim
39	510823	1/2" shim
40	510824	1/4" shim
41	511156	Bearing
42	511157	Seal
43	511158	End cap
44	511159	Cap, zerk end
45	510174	Grease zerk
46	510235	Hub assy. (inc. 8,9,10,13,21)

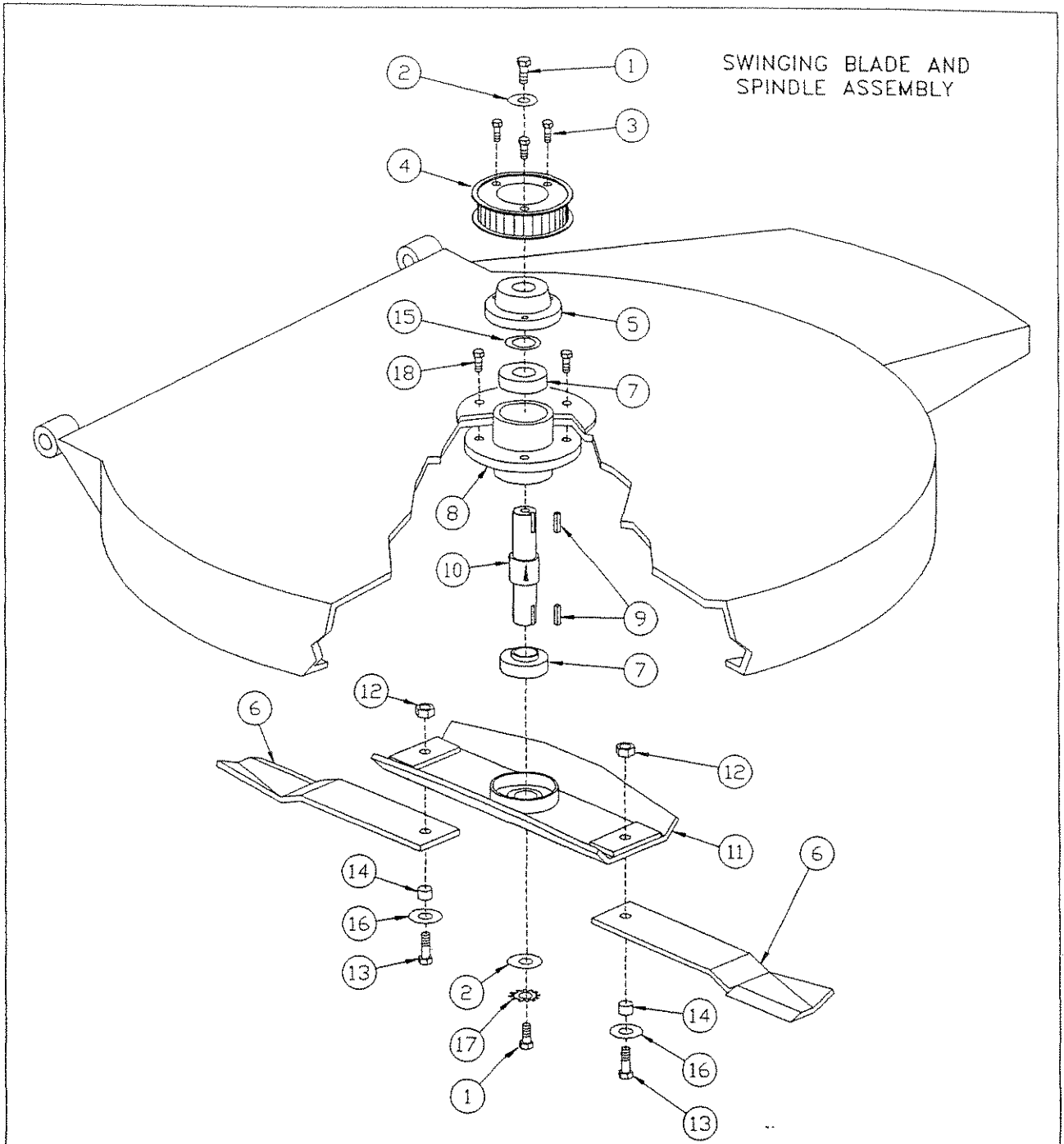


DECK ASSEMBLY

FIXED BLADE AND SPINDLE ASSEMBLY



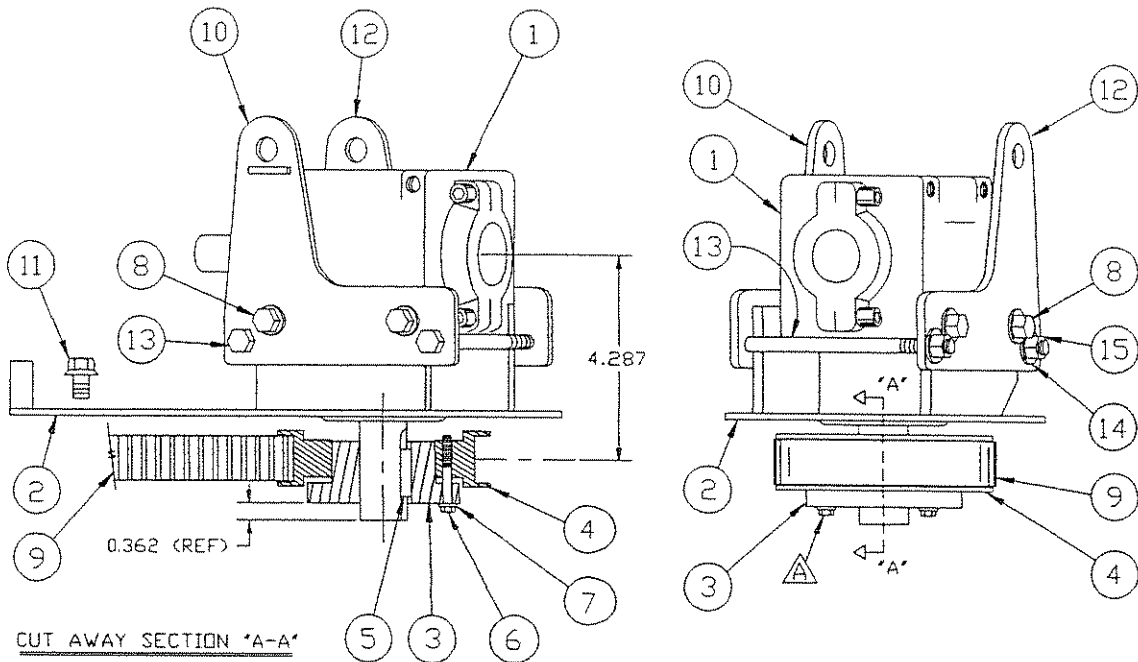
ITEM	PART #	DESCRIPTION
1	510500	1/2-20NF X 1.0 BOLT
2	500128	1/2 MACHINE BUSHING
3	510242	CAP SCREW
4	510240	SPROCKET
5	510241	BUSHING
6	500270	FIXED BLADE KIT-LEFT (INC. ITEMS 12,13,14,16,19)
	500271	FIXED BLADE KIT-RIGHT (INC. ITEMS 12,13,14,16,19)
7	510259	BEARING
8	510413	BEARING HUB
9	510228	1/4 X 1/4 X 1.0 KEY
10	510448	BLADE SPINDLE
11	511128	STUMP JUMPER
12	510396	1/2-13NC LOCK NUT
13	510218	1/2-13NC X 1.5 BOLT
14	510065	5/16-18NC X 1.25 BOLT
15	510055	SPACER
16	510208	5/16-18NC NUT
17	510957	1/2 STAR WASHER
18	510453	3/8NC X 1.0 WIZ BOLT
19	510335	5/16 LOCK WASHER




SWINGING BLADE AND SPINDLE ASSEMBLY

ITEM	PART #	DESCRIPTION
1	510500	1/2-20NF X 1.0 BOLT
2	500128	1/2 MACHINE BUSHING
3	510242	CAP SCREW
4	510240	SPROCKET
5	510241	BUSHING
6	500268	SWING. BLADE KIT-LEFT (INC. ITEMS 12, 13, 14, 16)
	500269	SWING. BLADE KIT-RIGHT (INC. ITEMS 12, 13, 14, 16)
7	510259	BEARING
8	510413	BEARING HUB
9	510228	1/4 X 1/4 X 1.0 KEY
10	510448	BLADE SPINDLE
11	511128	STUMP JUMPER
12	540115	1/2-20NF LOCK NUT
13	110051	1/2-20NF X 1.5 BOLT
14	511136	BUSHING
15	510055	SPACER
16	500239	FLAT WASHER
17	510957	1/2 STAR WASHER
18	510453	3/8NC X 1.0 WIZ BOLT
19	510335	5/16 LOCK WASHER

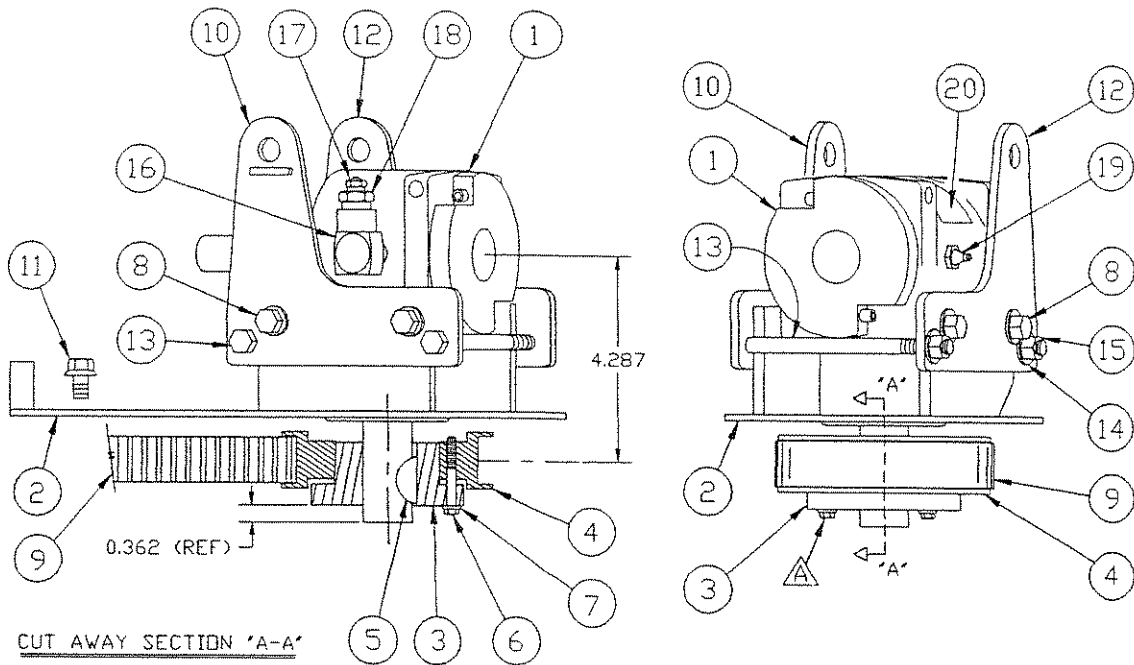
SUPERIOR GEARBOX
AND SPROCKET ASSEMBLY





 CAP SCREW #510242 TO BE TORQUED AT
 6 FOOT-POUNDS WITHOUT LUBRICANTS

ITEM	PART #	DESCRIPTION
1	540280	GEARBOX
2	510189	COVER PLATE - RIGHT
	510190	COVER PLATE - LEFT
3	510241	Q D BUSHING
4	510240	SPROCKET
5	510228	1/4 X 1 KEY
6	510242	CAP SCREW (W/ITEM 4)
7	510260	LOCK WASHER
8	510992	5/16-18NC X 1 WIZBOLT
9	510261	TIMING BELT
10	511175	SHIELD MT. BRKT. W/STOP
11	510196	5/16-18NC X 1/2 WIZBOLT
12	511174	SHIELD MT. BRKT.
13	710390	5/16-18NC X 5 BOLT
14	510335	5/16 LOCK WASHER
15	510208	5/16-18NC NUT

CURTIS GEARBOX AND SPROCKET ASSEMBLY

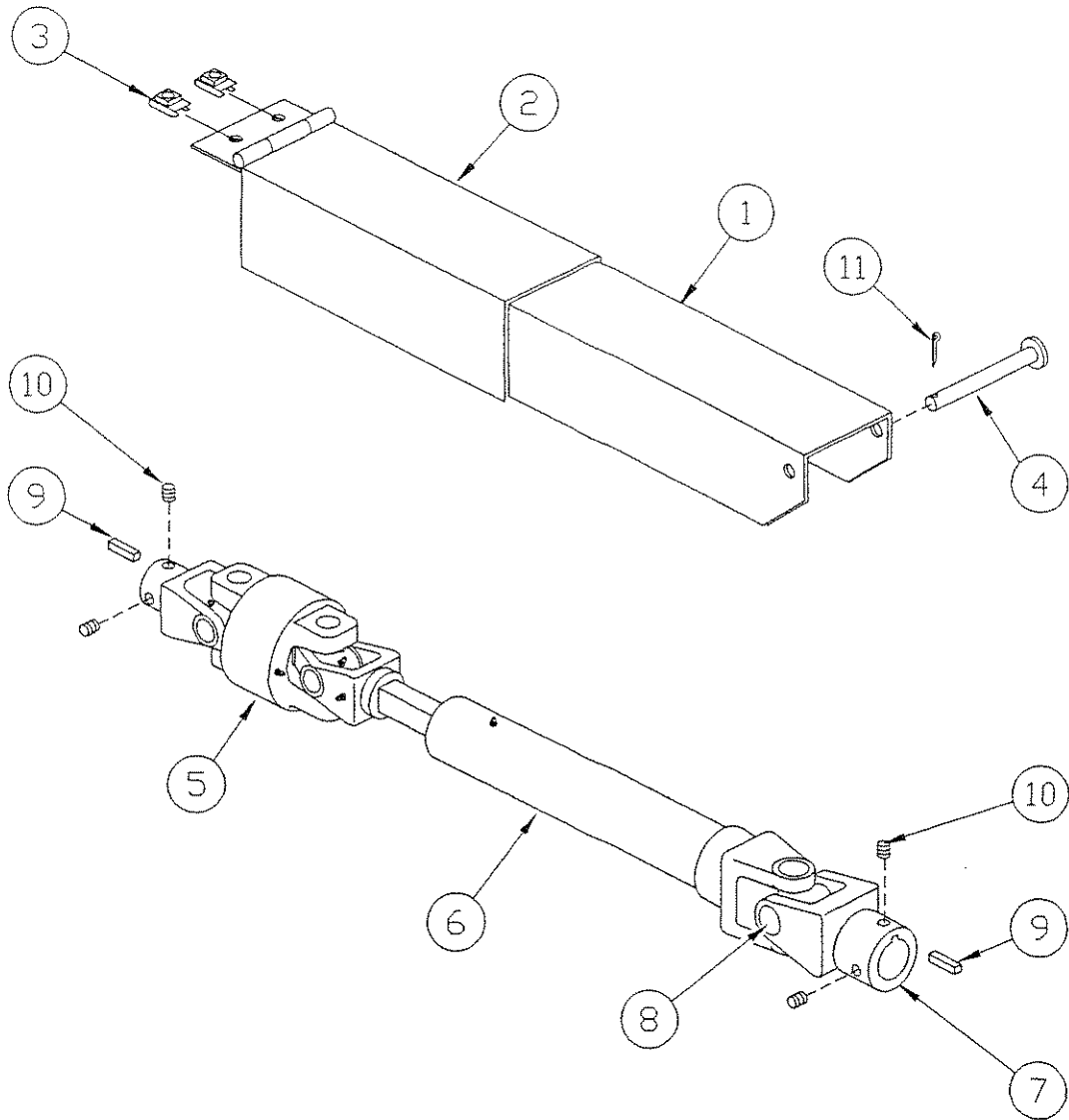


 CAP SCREW #510242 TO BE TORQUED AT
6 FOOT-POUNDS WITHOUT LUBRICANTS

ITEM	PART #	DESCRIPTION	ITEM	PART #	DESCRIPTION
1	540212	GEARBOX ASSEMBLY	11	510196	5/16-18NC X 1/2 WIZBOLT
2	510189	COVER PLATE - RIGHT	12	511174	SHIELD MT. BRKT.
	510190	COVER PLATE - LEFT	13	710390	5/16-18NC X 5 BOLT
3	510241	Q D BUSHING	14	510335	5/16 LOCK WASHER
4	510240	SPROCKET	15	510208	5/16-18NC NUT
5	410321	1/4 X 1 WOODRUFF KEY	16	510321	* ADAPTER, 90°
6	510242	CAP SCREW (W/ITEM 4)	17	540148	* VENT
7	510260	LOCK WASHER	18	540150	* PIPE BUSHING
8	510992	5/16-18NC X 1 WIZBOLT	19	540149	* GREASE ZERK
9	510261	TIMING BELT	20	500206	* DECAL
10	511175	SHIELD MT. BRKT. W/STOP			

* THESE PARTS INCLUDED WITH GEARBOX ASSEMBLY #540212

P.T.O. SHAFT & SHIELD

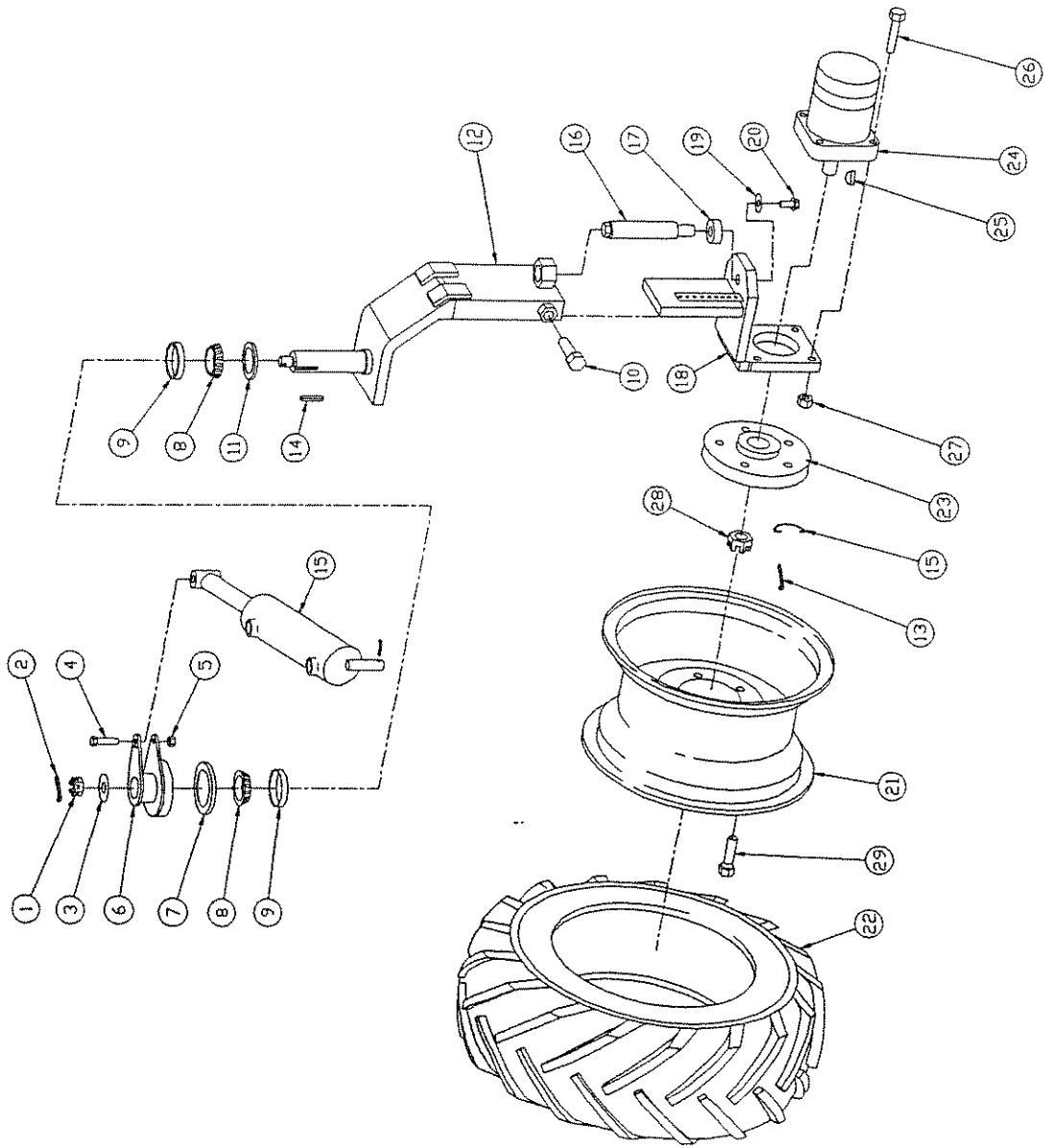


ITEM	PART NO.	DESCRIPTION
1	510446	PTO SHIELD (INNER)
2	510443	PTO SHIELD (OUTER)
3	510425	"U" TYPE RETAINER
4	510996	PIN
5	540041	U-JOINT / SHAFT ASSY
6	540042	SHAFT / YOKE ASSY
7	540043	YOKE / END
8	540044	U-JOINT / CROSS
9	510282	KEY
10	510161 *	SET SCREW
11	510176	COTTER PIN
12	540047	PTO SHAFT ASSY (INC. ITEMS 5-8)

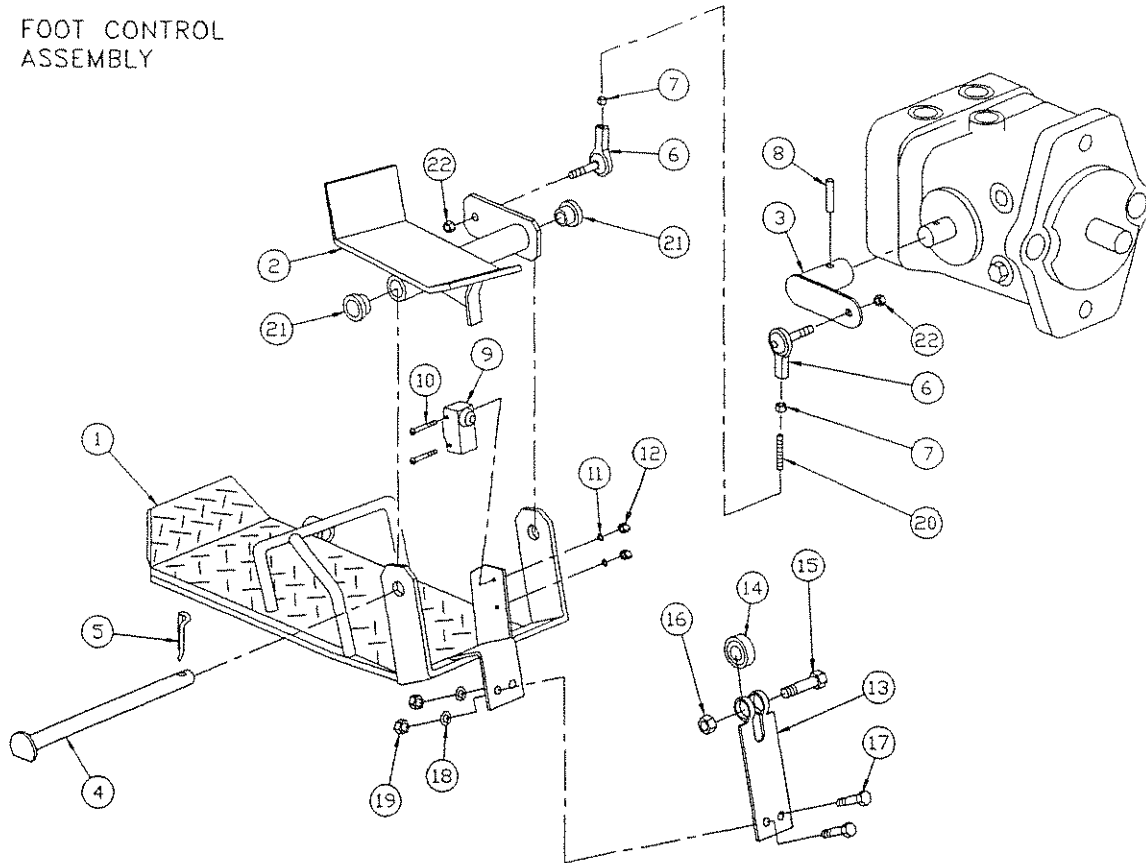
* USE LOCTITE® WHEN REPLACING

STEERING AND WHEEL DRIVE

ITEM	PART NO.	DESCRIPTION
1	510111	3/4 NC CASTLE NUT
2	510112	3/16 X 1 COTTER PIN
3	510370	3/4 FLAT WASHER
4	410267	3/8 X 2 NC BOLT
5	510471	3/8 NC LOCK NUT
6	510152	STEERING ARM
7	510108	SEAL / TOP
8	510106	BEARING
9	510209	RACE
10	510473	1/2 X 1 1/4 NC BOLT
11	510107	SEAL / BOTTOM
12	510246	SLEEVE & SPINDLE
13	510993	COTTER PIN
14	510228	1/4 X 1/4 X 1 KEY
15	520001	STEERING CYLINDER
16	510983	HEIGHT ADJ. SCREW
17	510397	THRUST BEARING
18	510245	MOTOR MOUNT BRKT.
19	510365	3/8 FLAT WASHER
20	510401	3/8NC X 3/4 WIZ BOLT
21	500181	WHEEL
22	510406	BAR TIRE
	510342	TURF TIRE
23	511042	KNOBBY TIRE
24	520005	HUB (F)
25	520135	WHEEL MOTOR
26	510213	KEY
27	510396	1/2 X 3 NC BOLT
28	510994	1/2 NC LOCK NUT
29	510239	CASTLE NUT
		LUG BOLT

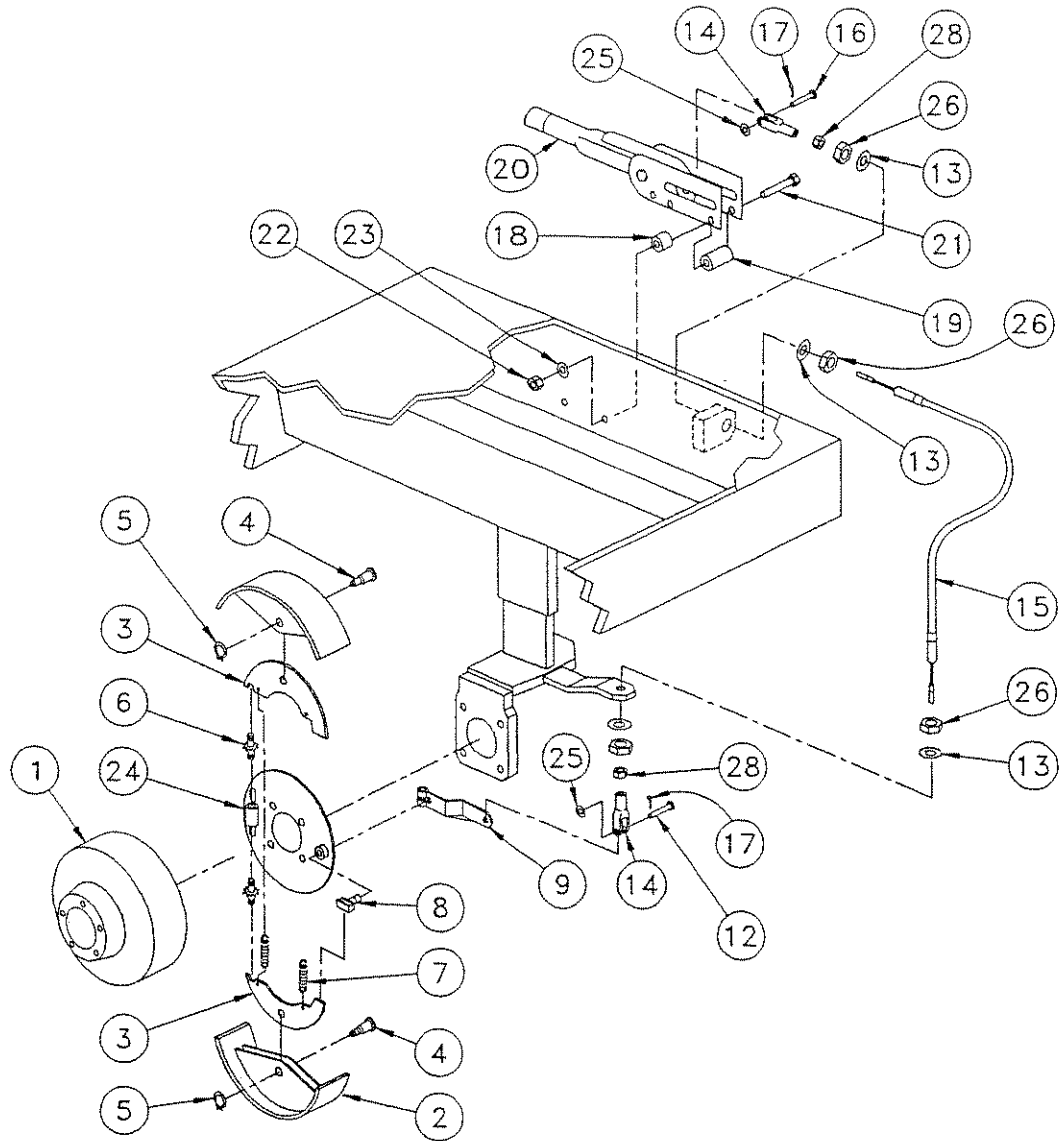


FOOT CONTROL
ASSEMBLY

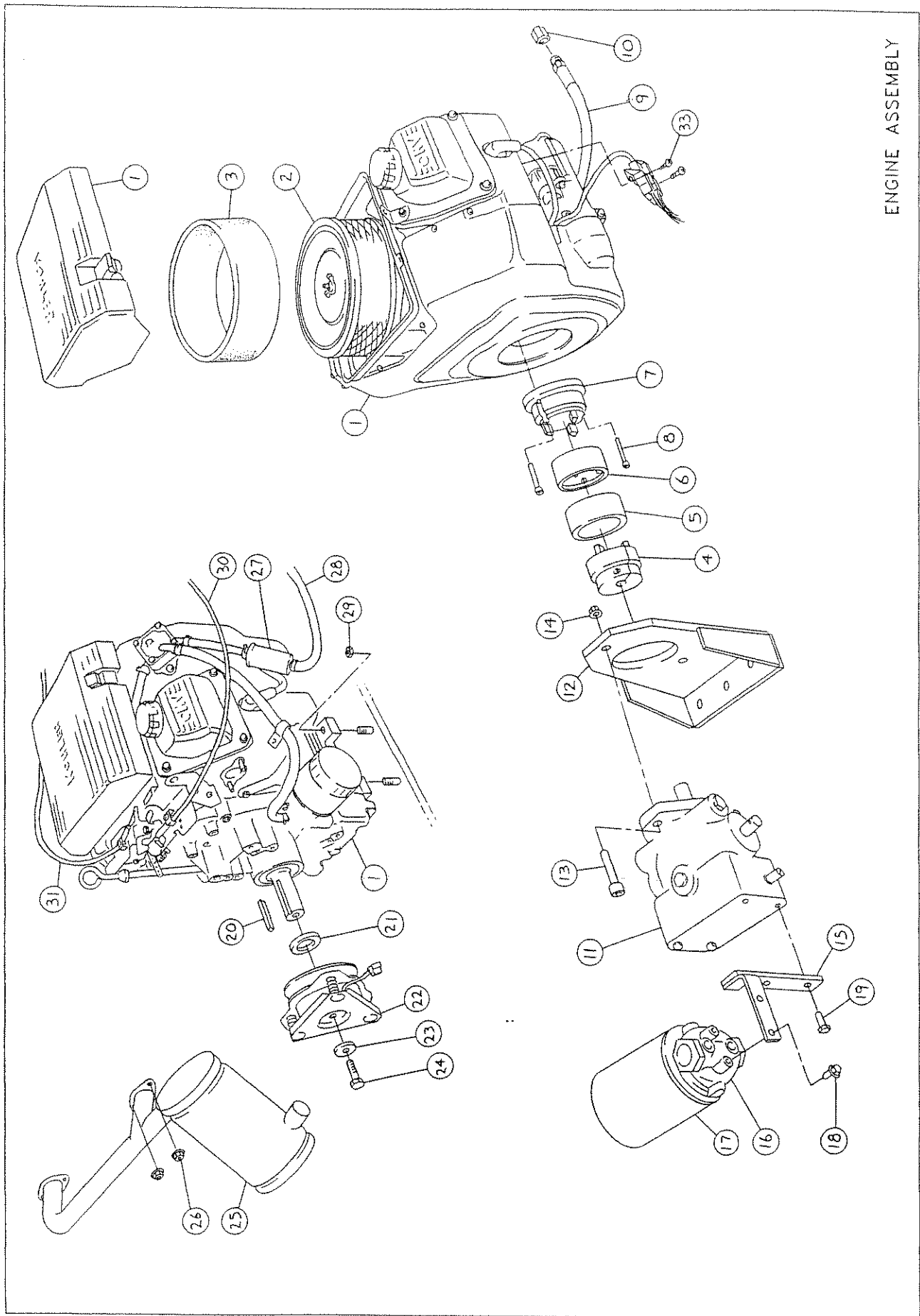


ITEM	PART #	DESCRIPTION
1	540188	RIGHT FOOTPLATE ASSY
2	540186	PEDAL ASSY
3	540181	TRACTION LEVER ASSY
4	540074	PEDAL SHAFT ASSY
5	510176	COTTER PIN 1/8 X 1.0
6	540075	ROD END BEARING
7	510478	NUT 1/4-28
8	500243	ROLL PIN 1/4 X 1.0
9	530038	NEUTRAL SWITCH
10	540089	SCREW 6-32 X 1.0
11	540091	STAR WASHER
12	540090	NUT 6-32
13	540080	LEAF SPRING
14	540079	BEARING
15	300006	BOLT 5/16-18 X 1.50
16	410222	LOCK NUT 5/16-18
17	710492	BOLT 1/4-20 X .50
18	510221	LOCK WASHER 1/4
19	510224	NUT 1/4-20
20	540312	ALL THREAD 1/4-28 X 2.75
21	540059	BRASS BUSHING
22	540085	LOCK NUT 1/4-28

BRAKE ASSEMBLY



ITEM	PART NO.	DESCRIPTION
1	550043	BRAKE DRUM
2	550029	BRAKE SHOE
3	550028	SHOE LEVER
4	550032	ANCHOR PIN
5	550033	RETAINING RING
6	550034	ADJUSTING SCREW
7	550031	SPRING
8	550035	CAM
9	550024	BRAKE ARM
10	550045	1/4 X 1 1/2 NC BOLT
11	510224	1/4 NC NUT
12	550048	CLEVIS PIN
13	540095	STAR LOCK WASHER
14	550046	YOKE
15	550027	BRAKE CABLE
16	550049	PIN
17	550050	COTTER PIN
18	550018	MOUNT BUSHING
19	550019	SPACER
20	550042	HANDLE
21	510366	3/8 X 2 1/2 NC BOLT
22	510272	3/8 NC NUT
23	510271	3/8 LOCK WASHER
24	550040	BACK PLATE ASS'Y
25	510195	FLAT WASHER
26	540094	JAM NUT
27	550038	PLUG
28	510502	NUT



ENGINE ASSEMBLY

540324

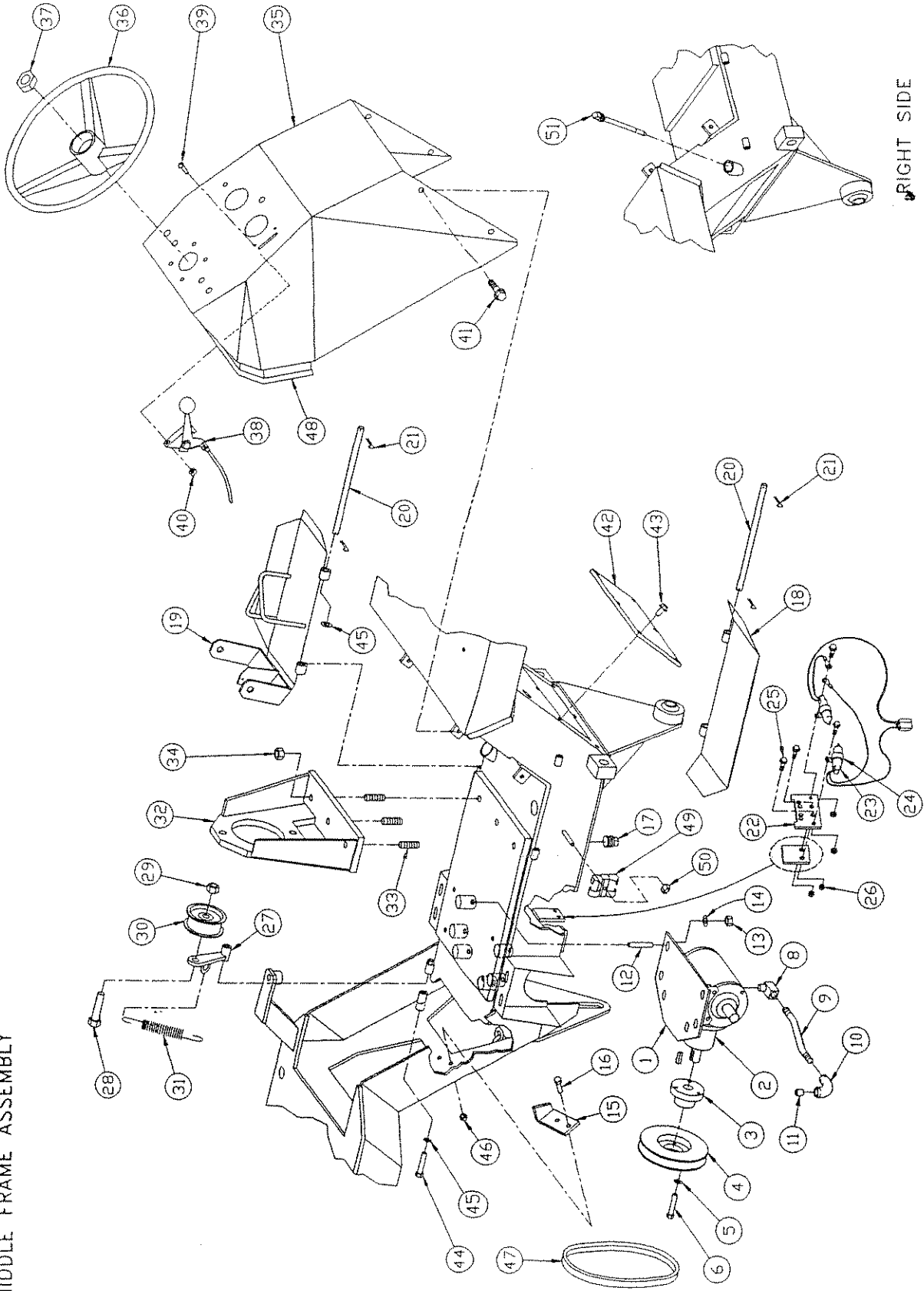
ENGINE ASSEMBLY

ITEM	PART NO.	DESCRIPTION			
1.	540303	ENGINE	18.	540084	1/4NC X 3/4 WIZ BOLT
2.	540321	AIR FILTER	19.	---	EXISTING PUMP BOLT
3.	540320	PRE-CLEANER	20.	510228	KEY
4.	540206	ENGINE COUPLER A	21.	510498	CLUTCH SPACER
5.	540027	RETAINER	22.	540004	CLUTCH
6.	520028	INSERT COUPLER	23.	511072	1/4" HEAVY WASHER
7.	540307	ENGINE COUPLER B	24.	540040	7/16NF X 1 1/2 BOLT
8.	110111	8MM X 25MM X 1.25 SKT. HD. CAP SCREW	25.	511243	MUFFLER
9.	520129	OIL DRAIN HOSE/ENGINE	26.	510096	5/16NC WIZ NUT
10.	500004	CAP	27.	540331	FUEL FILTER
11.	520400	PUMP	28.	800061	FUEL HOSE
12.	511241	PUMP MOUNT BRACKET	29.	510491	3/8NC LOCK NUT
13.	110112	1/2NC X 1 3/4 SKT. HD. CAP SCREW	30.	550073	THROTTLE
14.	210350	1/2NC WIZ NUT	31.	550072	CHOKE
15.	511139	FILTER MOUNT BRACKET/HYD. SYSTEM	32.	540322	OIL FILTER/ENGINE
16.	520402	FILTER HEAD/HYD. SYSTEM	33.	150013	6-32 X 1/4 SELF-TAP SCREW
17.	520403	FILTER ELEMENT/HYD. SYSTEM			

REAR FRAME ASSEMBLY

ITEM	PART NO.	DESCRIPTION
1.	511273	SEAT
2.	500202	5/16NC LOCK NUT
3.	530113	SEAT SWITCH
4.	510877	1/4NC X 1/2 SCREW
5.	511276	ROLL BAR
6.	510473	1/2NC X 1 1/4 BOLT
7.	410265	1/2 FLAT WASHER
8.	210350	1/2NC WIZ NUT
9.	510096	5/16NC WIZ NUT
10.	511232	FUEL TANK
11.	500069	FUEL CAP
12.	511082	3/8NC X 1/2 WIZ BOLT
13.	510401	3/8NC X 3/4 WIZ BOLT
14.	500290	HOSE CLAMP
15.	510488	REAR WHEEL MOTOR MOUNT
16.	510983	HEIGHT ADJ. SCREW
17.	510397	THRUST BEARING
18.	510365	3/8 FLAT WASHER
19.	510401	3/8NC X 3/4 WIZ BOLT
20.	520005	WHEEL MOTOR
21.	520135	KEY
22.	510213	1/2NC X 3 BOLT
23.	510396	1/2NC LOCK NUT
24.	510994	CASTLE NUT
25.	510988	SPRING CLIP
26.	510239	LUG BOLT
27.	500181	WHEEL
28.	510406	BAR TIRE
	510342	TURF TIRE
	511042	KNOBBY TIRE
29.	540150	1/4-1/8 BUSHING
30.	510207	FUEL SHUTOFF VALVE
31.	510477	1/4 PIPE PLUG
32.	800061	1/4 FUEL HOSE
33.	100361	HOSE CLAMP
34.	510335	5/16 LOCK WASHER

MIDDLE FRAME ASSEMBLY



RIGHT SIDE

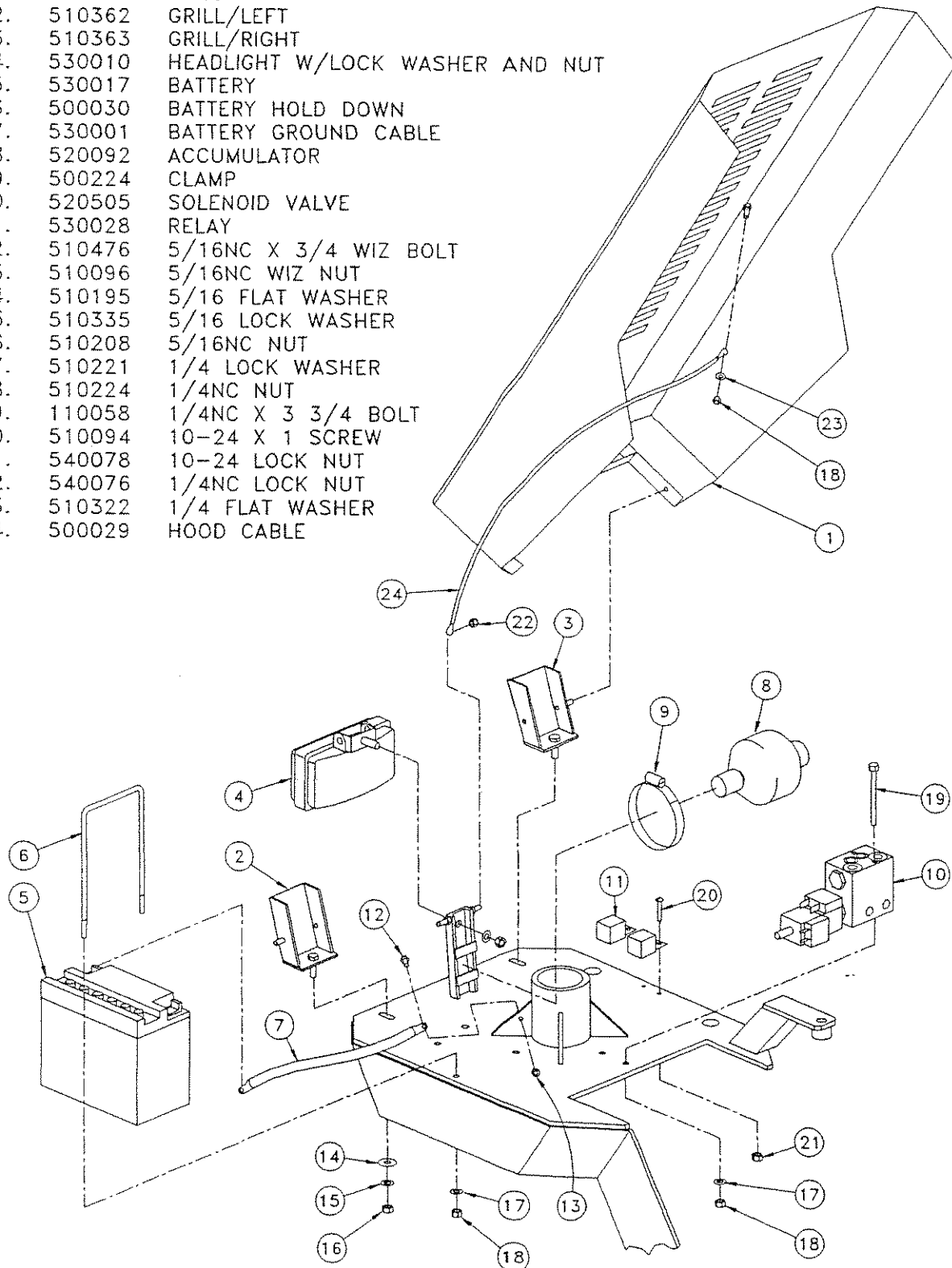
MIDDLE FRAME ASSEMBLY

ITEM	PART NO.	DESCRIPTION			
1.	511253	MOUNTING PLATE/GEAR BOX	27.	540211	IDLER BRACKET
2.	540305	SPLITTER GEAR BOX	28.	500238	1/2NC X 1 3/4 BOLT
3.	510269	BUSHING	29.	510396	1/2NC LOCK NUT
* 4.	540304	PULLEY/6.3" DIA. (STD.)	30.	540330	IDLER PULLEY
	540338	PULLEY/5.6" DIA. (OPT.)	31.	540025	SPRING
5.	510221	1/4 LOCK WASHER	32.	511241	PUMP MOUNT BRACKET
6.	510242	1/4NC X 1 3/8 BOLT	33.	110099	1/2 X 1 1/2 STUD (MC ONE END, NF OTHER END)
7.	510282	KEY	34.	540115	1/2 LOCK NUT
8.	510321	ADAPTER/90	35.	511272	COWLING
9.	510332	1/4" PIPE	36.	550004	STEERING WHEEL
10.	510323	1/4" ELL	37.	550063	13/16-20 NUT
11.	510477	1/4" PLUG	38.	550073	THROTTLE
12.	110130	3/8NC X 1 1/2 STUD	39.	510094	10-24 X 1 SCREW
13.	510471	3/8 LOCK NUT	40.	540078	10-24 LOCK NUT
14.	510365	3/8 FLAT WASHER	41.	510401	3/8NC X 3/4 WIZ BOLT
15.	510444	CLUTCH STOP	42.	510315	INSPECTION PLATE
16.	510090	5/16NC X 1 BOLT	43.	510476	5/16NC X 3/4 WIZ BOLT
17.	500175	1/2" PIPE PLUG	44.	510472	5/16NC X 4 BOLT
18.	510181	FOOT REST/LEFT	45.	510335	5/16 LOCK WASHER
19.	540188	FOOT REST/RIGHT	46.	510096	5/16 WIZ NUT
20.	510034	PIN/FOOT REST	* 47.	540315	BELT (STD.)
21.	510249	COTTER PIN		540192	BELT (OPT.)
22.	511048	MERCURY SWITCH BRACKET	48.	510062	EDGE MOLDING
23.	530082	MERCURY SWITCH	49.	510496	HOSE CLAMP
24.	200019	ADEL CLAMP	50.	510497	8-32 NUT
25.	540084	1/4NC X 3/4 WIZ BOLT	51.	520138	DIPSTICK
26.	510224	1/4NC NUT			

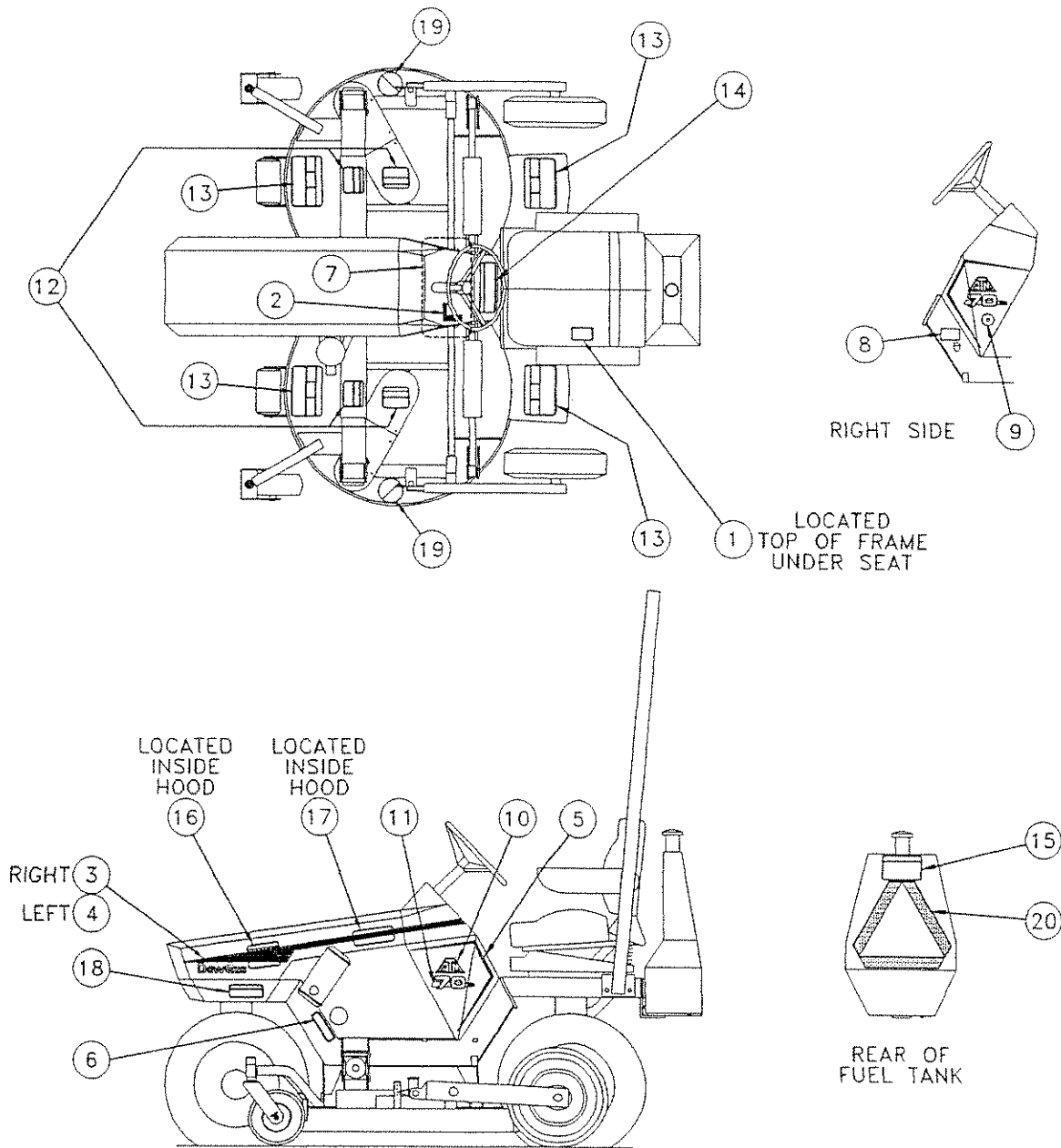
* STANDARD BELT MUST BE USED WITH STANDARD PULLEY.
 OPTIONAL BELT MUST BE USED WITH OPTIONAL PULLEY.
 THE BELTS CANNOT BE INTERCHANGED.

FRONT FRAME ASSEMBLY

ITEM	PART NO.	DESCRIPTION
1.	511270	HOOD
2.	510362	GRILL/LEFT
3.	510363	GRILL/RIGHT
4.	530010	HEADLIGHT W/LOCK WASHER AND NUT
5.	530017	BATTERY
6.	500030	BATTERY HOLD DOWN
7.	530001	BATTERY GROUND CABLE
8.	520092	ACCUMULATOR
9.	500224	CLAMP
10.	520505	SOLENOID VALVE
11.	530028	RELAY
12.	510476	5/16NC X 3/4 WIZ BOLT
13.	510096	5/16NC WIZ NUT
14.	510195	5/16 FLAT WASHER
15.	510335	5/16 LOCK WASHER
16.	510208	5/16NC NUT
17.	510221	1/4 LOCK WASHER
18.	510224	1/4NC NUT
19.	110058	1/4NC X 3 3/4 BOLT
20.	510094	10-24 X 1 SCREW
21.	540078	10-24 LOCK NUT
22.	540076	1/4NC LOCK NUT
23.	510322	1/4 FLAT WASHER
24.	500029	HOOD CABLE



DECAL LOCATION



ITEM	PART #	NAME
1	100205	SERIAL NO.
2	500039	THROTTLE
3	500045	STRIPE/HOOD RIGHT
4	500052	STRIPE/HOOD LEFT
5	500047	C STRIPE
6	500056	OIL FILTER
7	500155	DASH SWITCHES
8	500211	HYD. OIL
9	500237	SHUTTLE VALVE
10	500248	ATM
11	500280	70c
12	500251	ROTATING DRIVE
13	500252	ROTATING BLADES
14	500253	READ MANUAL
15	500254	FUEL WARNING
16	500255	BATTERY ACID
17	500256	HI PRESS. OIL
18	500257	HOT MUFFLER
19	500037	HAND/FOOT WARNING
20	500079	SMV

